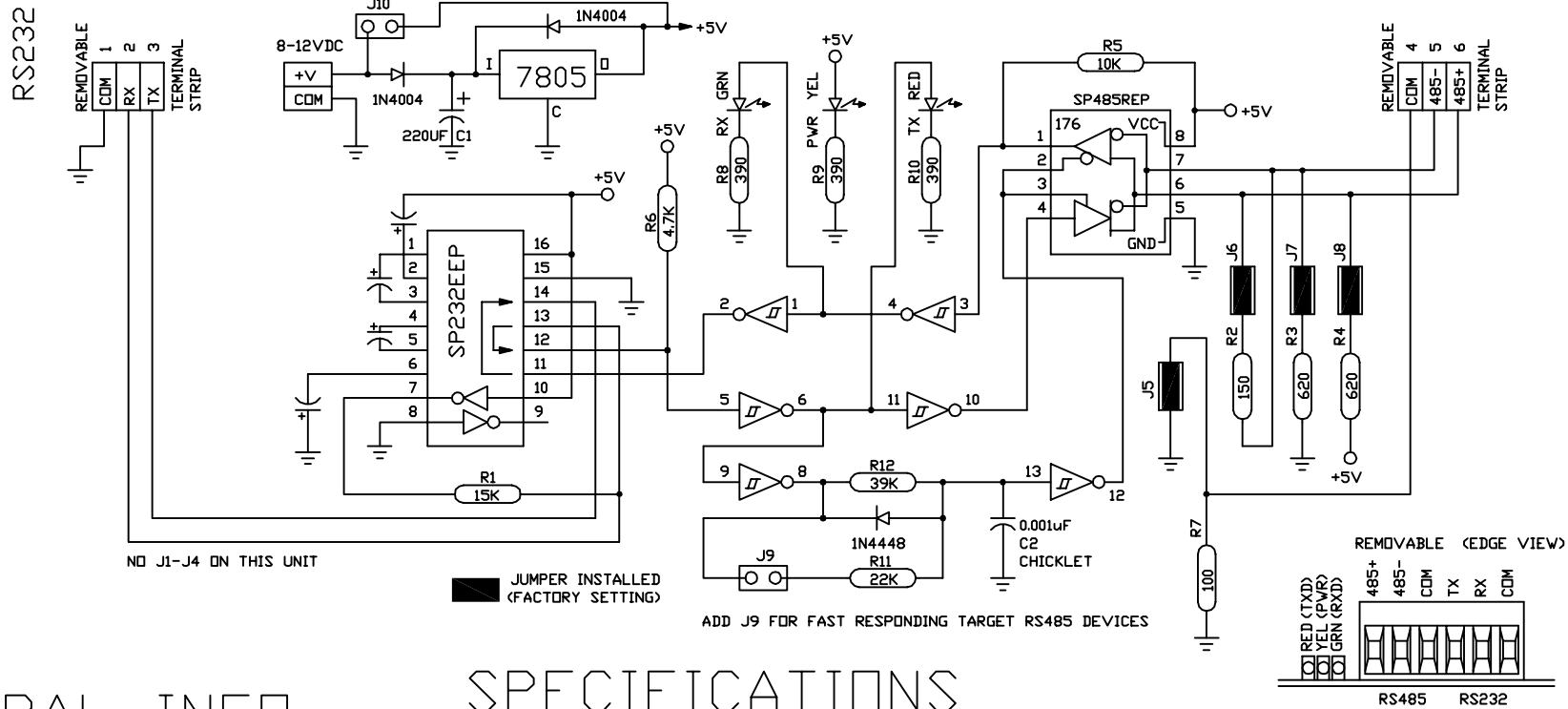


MODEL ASC24TS



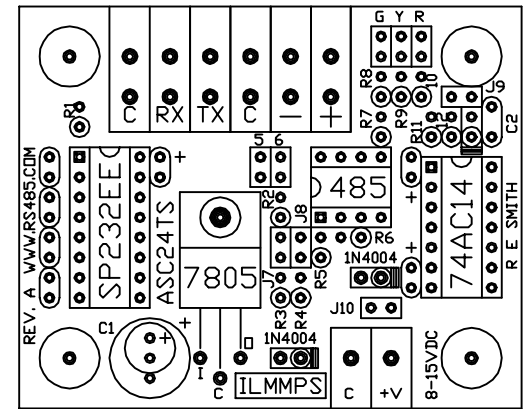
GENERAL INFO.

FAST AUTOMATIC AUTO TX-ENABLE
RS232 TO RS485 CONVERTER FOR
2-WIRE APPLICATIONS AT BAUD
RATES UP TO 115.2K. LEDs FOR
POWER, TX DATA, AND RX DATA.
ONBOARD BIAS AND TERMINATION

SPECIFICATIONS

- 1) SIZE: 2.50" X 2.00" X 0.9" (PC BOARD)
WITH CONNECTORS: 2.50" X 2.25"
- 2) MOUNTING HOLES: 4-PLACES
2.00" X 1.50" (#6 HARDWARE)
- 3) TEMPERATURE RANGE: -40C TO 85C
- 4) HUMIDITY: 10-90% RH NON-CONDENSING
- 5) BAUD: 300-115.2K
- 6) OPERATING VOLTAGE: 8-15VDC
- 7) TYPICAL POWER: UNDER 0.5W
- 8) HALF-DUPLEX 2-WIRE RS485

ACTUAL SIZE (1:1)



RESSmith
WWW.RS485.COM
10330 CHESTER ROAD, CINCINNATI, OHIO 45215
513-874-4796

OPTIONAL ENCLOSURE,
AND POWER SUPPLY
ARE AVAILABLE.

This drawing is the property of R. E. SMITH and shall not be used except with the written permission of R. E. SMITH. No copies shall be made of it and all proprietary rights in the matter contained in this drawing are the property of R. E. SMITH. COPYRIGHT - R. E. SMITH, 2001-2012		DRAWN BY RES	SUBJECT RS232/RS485	
DATE 7-16-03 REVISED 7-26-12		FOR AUTOMATIC CONV.		
SCALE NONE		R. E. SMITH 4311 R. E. SMITH DRIVE WEST CHESTER, OH 45389		DWG. NO. ASC24TS
SHEET 1 OF 1	ASC24TS	CHKD. BY RES	REV. A	