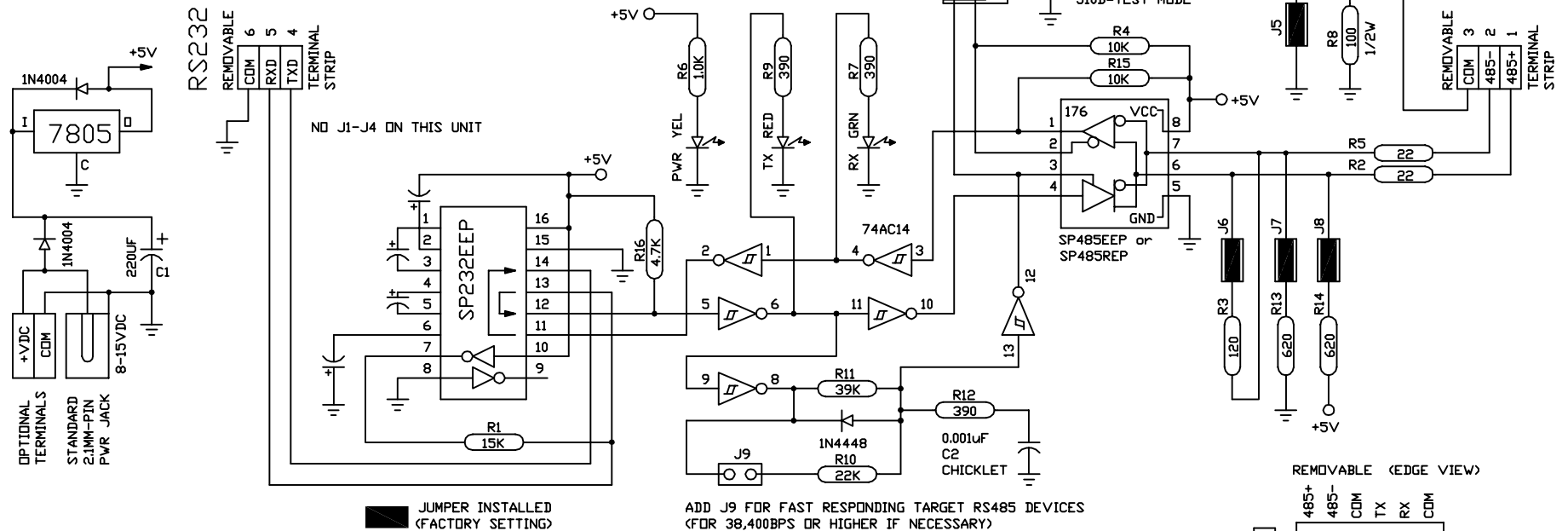


MODEL ASC24TS REV B



GENERAL INFO.

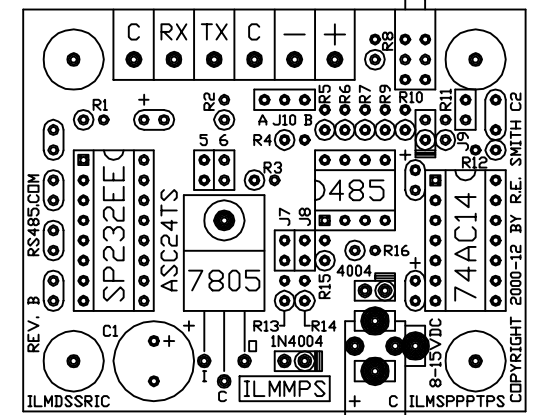
FAST AUTOMATIC TRANSMIT-ENABLE
RS232<=>RS485 CONVERTER FOR
2-WIRE APPLICATIONS AT DATA
RATES UP TO 115.2Kbps. LEDs FOR
POWER, TX DATA, AND RX DATA.
ONBOARD BIAS AND TERMINATION,
SIPEX SP485EEP or SP485REP
IC WITH HIGH ESD TOLERANCE,
TEST MODE JUMPER, AND IMPROVED
AUTO TRANSMIT ENABLE TIMING.
LINK: rs485.com/pasc24ts.html

SPECIFICATIONS

- 1) SIZE: 2.50" X 2.00" X 0.9" (PC BOARD)
WITH CONNECTORS: 2.50" X 2.25"
- 2) MOUNTING HOLES: 4-PLACES
2.00" X 1.50" (#6 HARDWARE)
- 3) SIPEX SP485EEP or SP485REP IC
WITH BUILT-IN ESD PROTECTION
- 4) 22 OHM PROTECTION RESISTORS
- 5) TEMPERATURE RANGE: -40C TO +85C
- 6) HUMIDITY: 10-90% RH NON-CONDENSING
- 7) SPEED: UP TO 115.2Kbps @ 4000ft.
- 8) OPERATING VOLTAGE: 8-15VDC
- 9) TYPICAL POWER: UNDER 0.5W
- 10) HALF-DUPLEX 2-WIRE RS485

RESSmith
WWW.RS485.COM
10330 CHESTER ROAD, CINCINNATI, OHIO 45215
513-874-4796

OPTIONAL ENCLOSURE,
AND POWER SUPPLY
ARE AVAILABLE.



This drawing is the property of R. E. SMITH and shall not be used except with the written permission of R. E. SMITH, no copies shall be made of it and all proprietary rights in the matter contained in this drawing are the property of R. E. SMITH. COPYRIGHT - R. E. SMITH, 2000-2013		DRAWN BY RES	SUBJECT RS232<=>RS485	
DATE 8-7-12 REV 9-16-13		FOR AUTOMATIC CONV.		
SCALE NONE		RES R. E. SMITH 10330 CHESTER ROAD CINCINNATI, OHIO 45215		DWG. NO. ASC24TS
SHEET 1 OF 1	ASC24TS	CHKD. BY RES	REV. B	