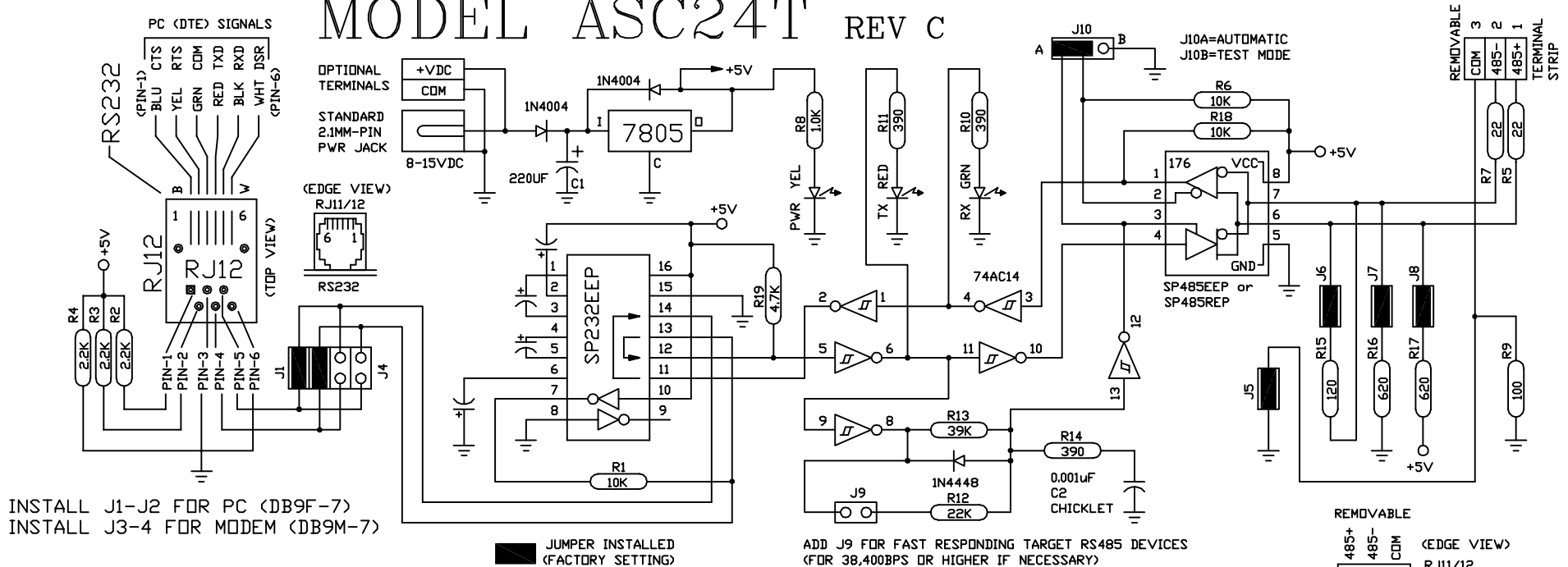


MODEL ASC24T REV C



GENERAL INFO.

FAST AUTOMATIC TRANSMIT-ENABLE RS232<=>RS485 CONVERTER FOR 2-WIRE APPLICATIONS AT DATA RATES UP TO 115.2Kbps. LEDs FOR POWER, TX DATA, AND RX DATA. ONBOARD BIAS AND TERMINATION, SIPEX SP485EEP or SP485REP IC WITH HIGH ESD TOLERANCE, TEST MODE JUMPER, AND IMPROVED AUTO TRANSMIT ENABLE TIMING.
 LINK: rs485.com/pasc24t.html

SPECIFICATIONS

- 1) SIZE: 2.50" X 2.00" X 0.9" (PC BOARD) WITH CONNECTORS: 2.50" X 2.25"
- 2) MOUNTING HOLES: 4-PLACES 2.00" X 1.50" (#6 HARDWARE)
- 3) SIPEX SP485EEP or SP485REP IC WITH BUILT-IN ESD PROTECTION
- 4) 22 OHM PROTECTION RESISTORS
- 5) TEMPERATURE RANGE: -40C TO +85C
- 6) HUMIDITY: 10-90% RH NON-CONDENSING
- 7) SPEED: UP TO 115.2Kbps @ 4000ft.
- 8) OPERATING VOLTAGE: 8-15VDC
- 9) TYPICAL POWER: UNDER 0.5W
- 10) HALF-DUPLEX 2-WIRE RS485



OPTIONAL ENCLOSURE, CABLE (DB9F OR DB25F), AND POWER SUPPLY ARE AVAILABLE.

This drawing is the property of R. E. SMITH and shall not be used except with the written permission of R. E. SMITH. No copies shall be made of it and all proprietary rights in the matter contained in this drawing are the property of R. E. SMITH. COPYRIGHT - R. E. SMITH, 2000-2013		DRAWN BY RES	SUBJECT RS232<=>RS485	
DATE 4-26-12 REV 9-16-13		FOR AUTOMATIC CONV.		
SCALE NONE		RES R. E. SMITH 10330 CHESTER ROAD CINCINNATI, OHIO 45215		DWG. NO. ASC24T
SHEET 1 OF 1	ASC24T	CHKD. BY RES	REV. C	

