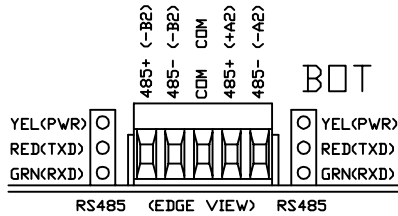
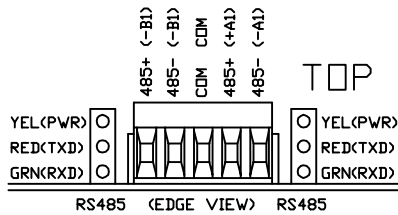


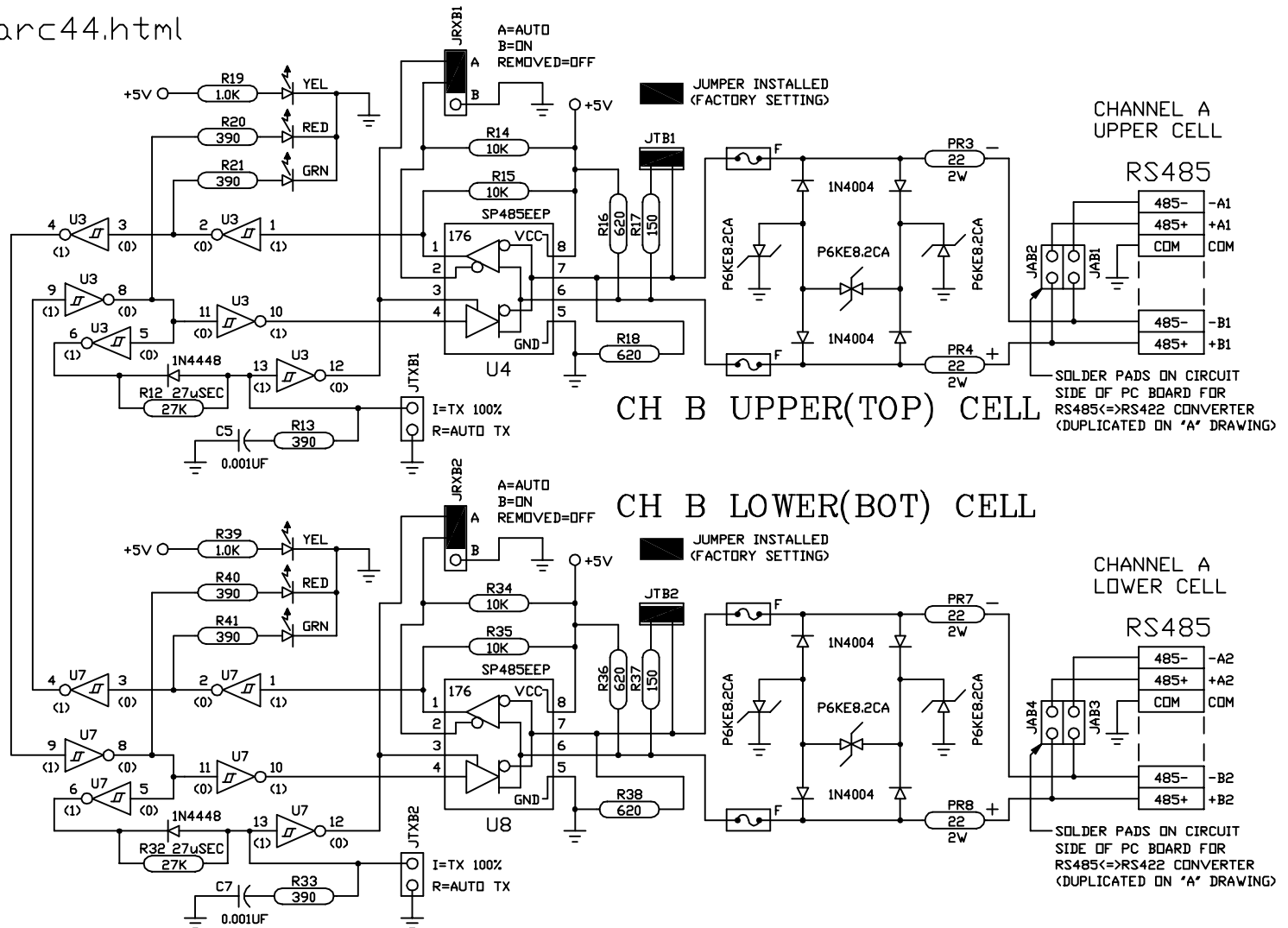
LINK: rs485.com/pdarc44.html

B



-C = CONVERTER
(RS422<=>RS485)
(FOR RS485 BACKBONE)

-R = REPEATER
(RS422<=>RS422)
or DUAL
(RS485<=>RS485)



DUAL AUTOMATIC REPEATER-CONVERTER with TRANSIENT PROTECTION
BUFFERED REPEATER SUPPRESSOR EXTENDER UP TO 230.4KBPS
RS422<=>RS422 or DUAL RS484<=>RS485 or RS485<=>RS422

RESmith
WWW.RS485.COM
10330 CHESTER ROAD, CINCINNATI, OHIO 45215
513-874-4796

MODEL REV. A
DARC44

This drawing is the property of R. E. SMITH and shall not be used except with the written permission of R. E. SMITH, no copies shall be made of it and all proprietary rights in the matter contained in this drawing are the property of R. E. SMITH. COPYRIGHT - R. E. SMITH, 1999-2014		DRAWN BY RES	SUBJECT DUAL AUTO REP/CONV	
SHEET 1 OF 1		DATE 7-16-13	FOR TRANSIENT PROTECTED	
DARC44B		SCALE NONE	RES R. E. SMITH 10330 CHESTER ROAD CINCINNATI, OHIO 45215	
CHKD. BY RES		DVG. NO. DARC44B		REV. A