

# MODEL DAR C44, REV. A

DUAL AUTOMATIC REPEATER-CONVERTER with TRANSIENT SUPPRESSION  
 BUFFERED REPEATER-SUPPRESSOR-EXTENDER UP TO 230.4KBPS

RS422<=>RS422 or DUAL RS485<=>RS485 or RS422<=>RS485(BACKBONE)

## JUMPER DESIGNATIONS & (FACTORY SETTINGS):

JUMPERS FOR ALL CELLS (A1,A2,B1,B2)

JTA1, JTA2, JTB1, JTB2 = INSTALL FOR TERMINATION  
 DEFAULT = INSTALLED

JTXA1, JTXA2, JTXB1, JTXB2 = TX CONTROL  
 AUTOMATIC TX ENABLE = INSTALL (DEFAULT)  
 TX ON 100% = REMOVE JUMPER (RS422)

JRXA1, JRXA2, JRXB1, JRXB2 = RX CONTROL  
 AUTOMATIC RX ENABLE = INSTALL A (DEFAULT)  
 RX ON 100% = INSTALL POSITION B (RS422)  
 RX OFF = REMOVE JUMPER

DUAL RS485<=>RS485 MODE (FACTORY SETTING)  
 (ALSO USED FOR AUTOMATIC RS422<=>RS422 MODE)  
 JTXX INSTALLED, JTXXX REMOVED, JRXXX POSITION A

## TRANSIENT PROTECTION SUMMARY

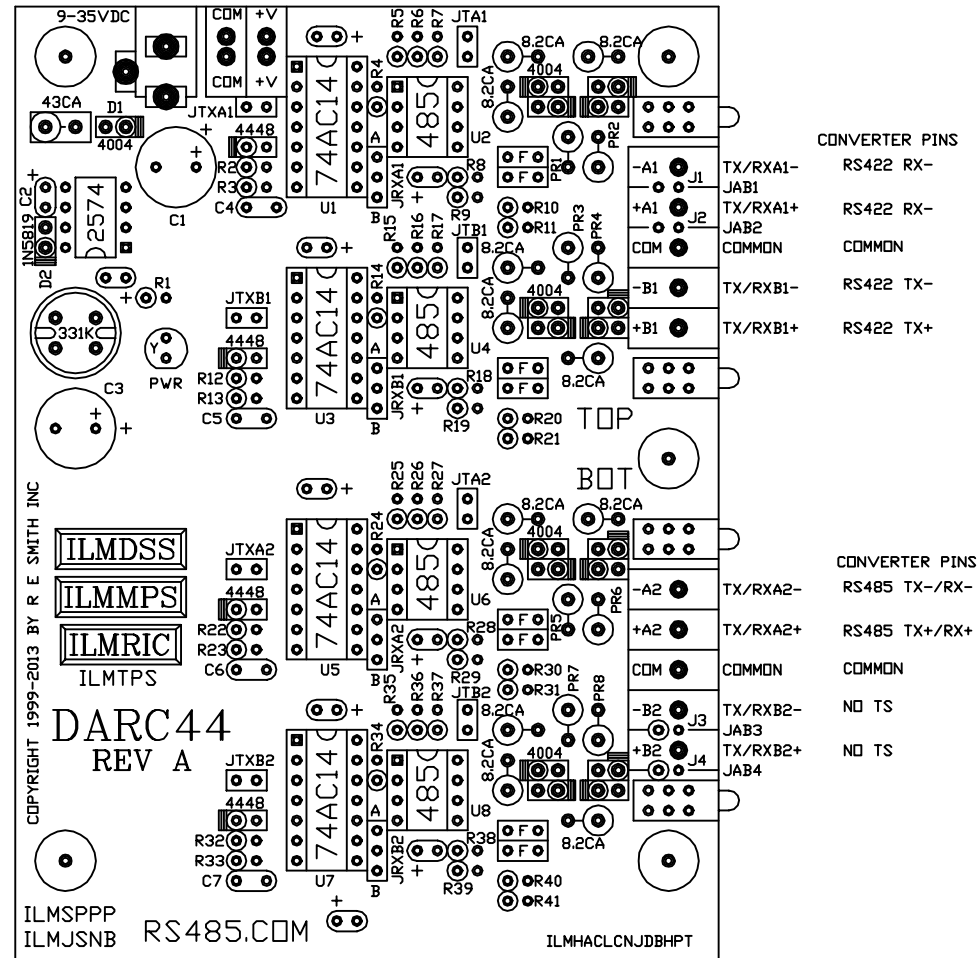
EACH TRANCEIVER CELL HAS SUPERIOR TRANSIENT PROTECTION CONSISTING OF 2 22-OHM 2W POWER RESISTORS FOLLOWED BY A COMMON & DIFFERENTIAL MODE PROTECTION BRIDGE AND RAYCHEM RXE010 AUTO RESET COMMUNICATIONS FUSES

CALL 513-874-4796 IF ADDITIONAL INFORMATION IS REQUIRED.

-R = REPEATER  
 (RS422<=>RS422)  
 or DUAL  
 (RS485<=>RS485)

-C = CONVERTER  
 (RS422<=>RS485)  
 (FOR RS485 BACKBONE)

L3 = 4.75" X 3.50"  
 9-35VDC INPUT VOLTAGE RANGE



LINK: [rs485.com/pdarc44.html](http://rs485.com/pdarc44.html)

|  |          |              |          |   |
|--|----------|--------------|----------|---|
| This drawing is the property of R. E. SMITH and shall not be used except with the written permission of R. E. SMITH, no copies shall be made of it and all proprietary rights in the matter contained in this drawing are the property of R. E. SMITH.<br>COPYRIGHT - R. E. SMITH, 1999 - 2014 |          | DRAWN BY RES | SUBJECT  | MODEL DAR C44   |
|  |          | DATE 8-22-13 | FOR      | PHYSICAL DRAWING  |
|  |          | SCALE NONE   | RES      | R. E. SMITH<br>10330 CHESTER ROAD<br>CINCINNATI, OH 45215 |
| SHEET 1 OF 1   | DARC44SS | CHKD. BY RES | DWG. NO. | DARC44SS  |
|  |          |              | REV.     | A   |

