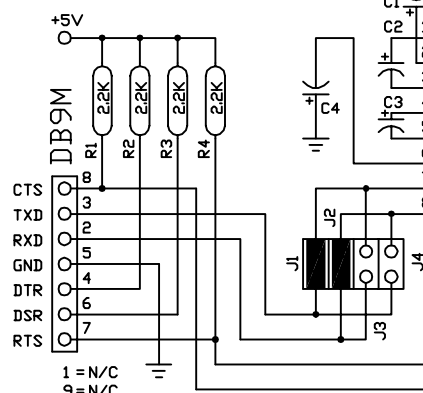
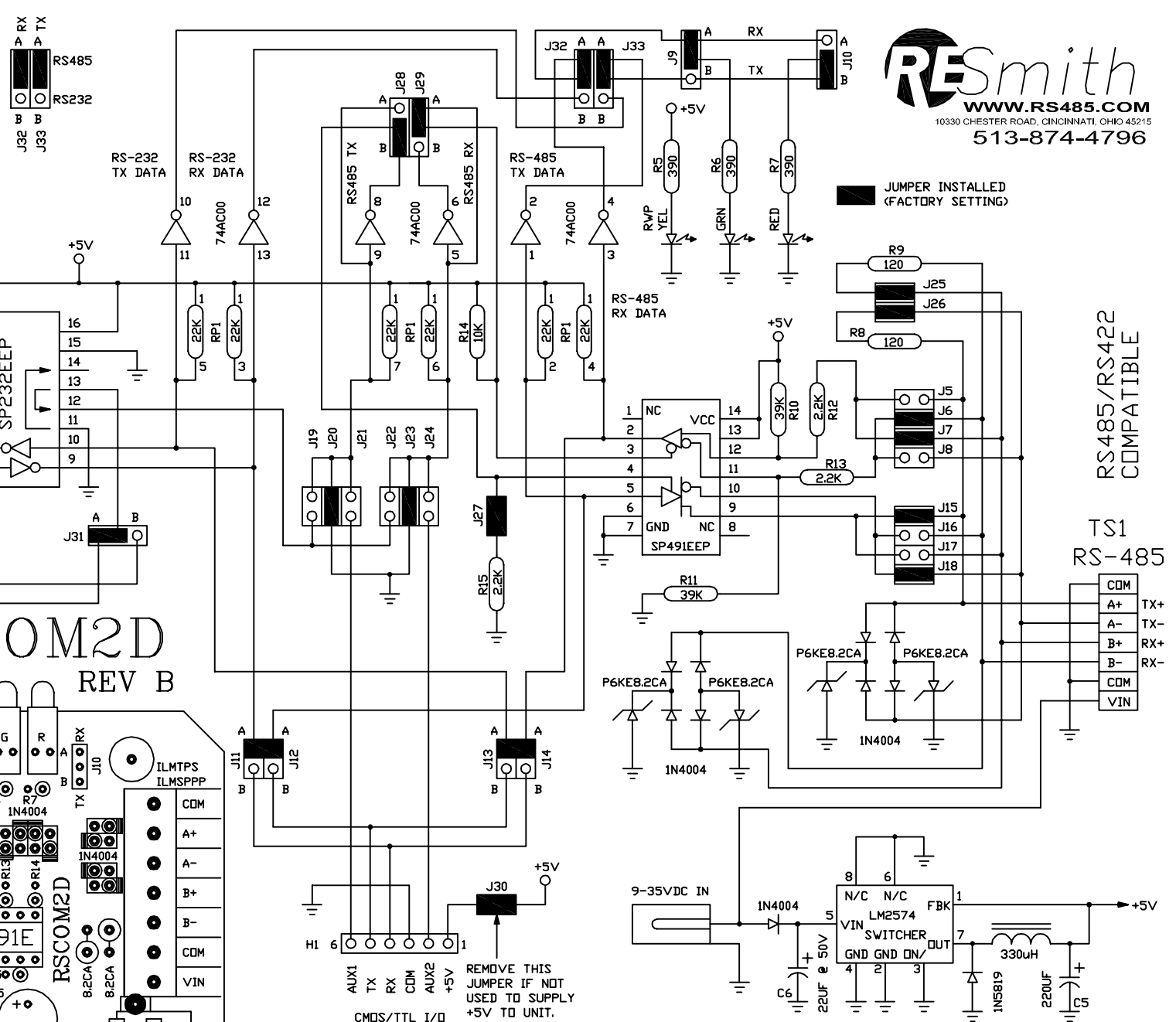
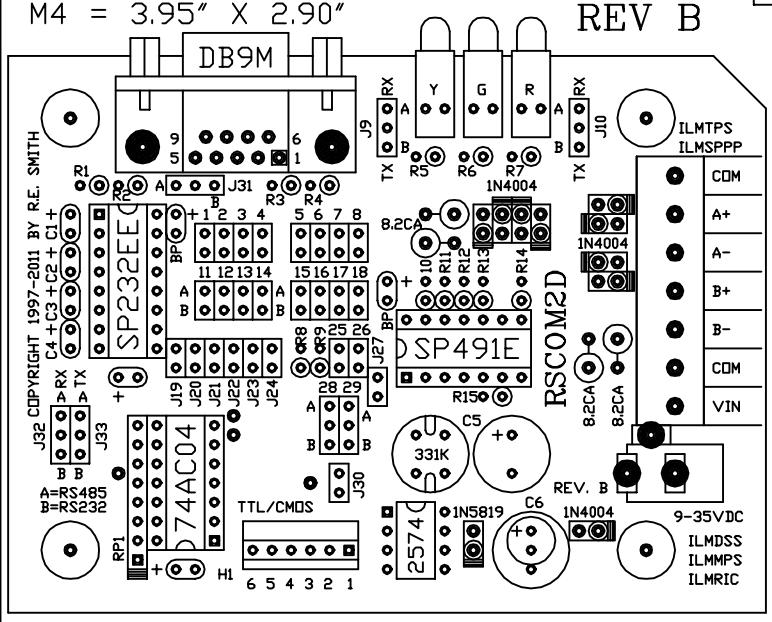


LINK: rs485.com/prscom2d.html



MODEL RSCOM2D

M4 = 3.95" X 2.90" REV B



ACTUAL SIZE (1:1)

This drawing is the property of R. E. SMITH and shall not be used except with the written permission of R. E. SMITH, no copies shall be made of it and all proprietary rights in the matter contained in this drawing are the property of R. E. SMITH. COPYRIGHT - R. E. SMITH, 1997-2013		DRAWN BY RES	SUBJECT RS232/RS485/TTL	
DATE 12-28-10 REV 9-19-13		SCALE NONE	FOR COMM CONVERSION	
SHEET 1 OF 1	RSCOM2D	CHKD. BY RES	RES R. E. SMITH 10330 CHESTER ROAD CINCINNATI, OH 45215	DWG. NO. RSCOM2D REV. B