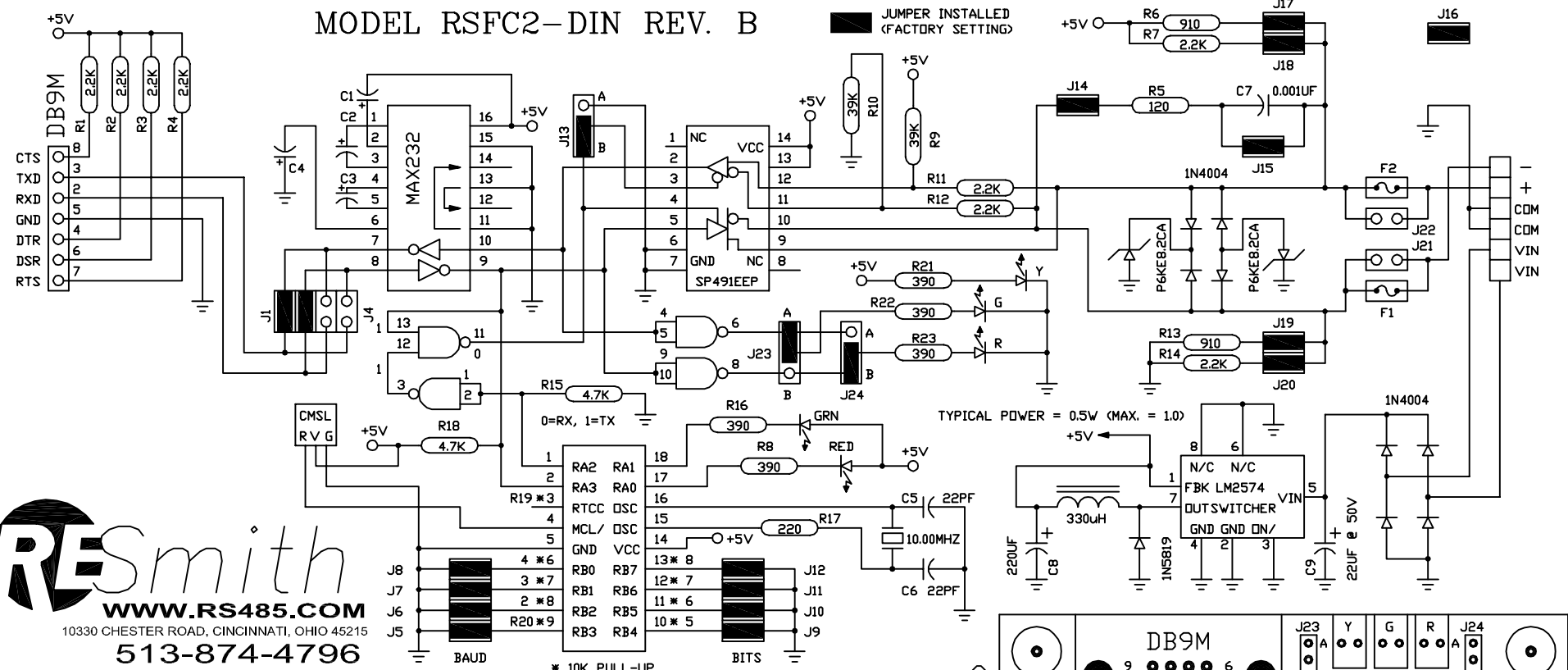


# MODEL RSFC2-DIN REV. B

JUMPER INSTALLED (FACTORY SETTING)



**REsmith**  
 WWW.RS485.COM  
 10330 CHESTER ROAD, CINCINNATI, OHIO 45215  
 513-874-4796

NOTE: REMOVE POWER TO CHANGE BAUD/BIT JUMPERS (J5 - J12)

\*\*\* CHARACTER MODE FIXED SETTING FOR 9600, N,8,1 (DEFAULT SETTING)

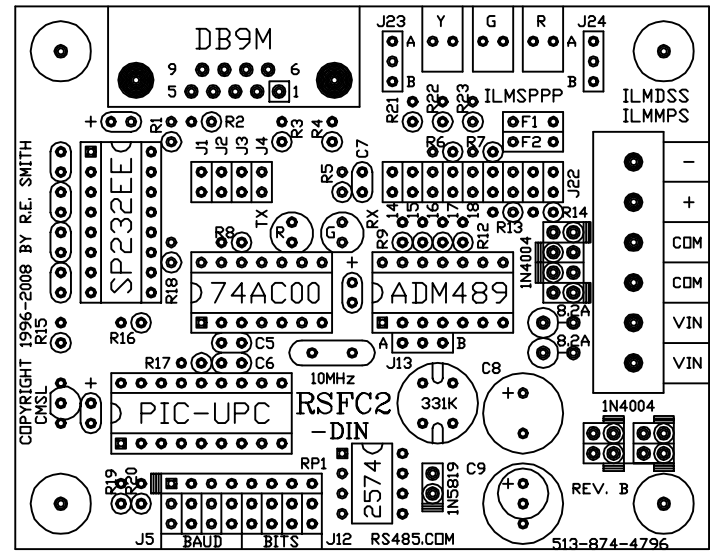
BAUD	J5	J6	J7	J8
300	REMOVE	REMOVE	REMOVE	REMOVE
600	REMOVE	REMOVE	REMOVE	INSTALL
1200	REMOVE	REMOVE	INSTALL	REMOVE
2400	REMOVE	REMOVE	INSTALL	INSTALL
4800	REMOVE	INSTALL	REMOVE	REMOVE
9600	REMOVE	INSTALL	REMOVE	INSTALL
19200	REMOVE	INSTALL	INSTALL	REMOVE
38400	REMOVE	INSTALL	INSTALL	INSTALL
57600	INSTALL	REMOVE	REMOVE	REMOVE
76800	INSTALL	REMOVE	REMOVE	INSTALL
115200	INSTALL	REMOVE	INSTALL	REMOVE
RESVD	INSTALL	REMOVE	INSTALL	INSTALL
AUTDL*	INSTALL	INSTALL	REMOVE	REMOVE
AUTOH	INSTALL	INSTALL	REMOVE	INSTALL
RXONLY	INSTALL	INSTALL	INSTALL	REMOVE
9600**	INSTALL	INSTALL	INSTALL	INSTALL

RXONLY = FLASH GRN, RESVD = FLASH RED  
 \* AUTDL = AUTOMATIC 'BIT' MODE SETTING FOR 300 TO 38,400 BAUD.  
 AUTOH = HIGH SPEED AUTOMATIC 'BIT' MODE (19200 TO 115.2K, OR ENTIRE SPECTRUM)

TOTAL BITS	START	PARITY	DATA	STOP	EXAMPLE
6	REMOVE	REMOVE	REMOVE	REMOVE	
6-1/2	REMOVE	REMOVE	REMOVE	INSTALL	
7	REMOVE	REMOVE	INSTALL	REMOVE	
7-1/2	REMOVE	REMOVE	INSTALL	INSTALL	
8	REMOVE	INSTALL	REMOVE	REMOVE	
8-1/2	REMOVE	INSTALL	REMOVE	INSTALL	
9	REMOVE	INSTALL	INSTALL	REMOVE	N, 7, 1
9-1/2	REMOVE	INSTALL	INSTALL	INSTALL	
10	INSTALL	REMOVE	REMOVE	REMOVE	N, 8, 1
10-1/2	INSTALL	REMOVE	REMOVE	INSTALL	
11	INSTALL	REMOVE	INSTALL	REMOVE	N, 8, 2
11-1/2	INSTALL	REMOVE	INSTALL	INSTALL	
12	INSTALL	INSTALL	REMOVE	REMOVE	
12-1/2	INSTALL	INSTALL	REMOVE	INSTALL	
13	INSTALL	INSTALL	INSTALL	REMOVE	
13-1/2	INSTALL	INSTALL	INSTALL	INSTALL	

NOTES: AT 115.2K BAUD THE START BIT ERROR IS APPROXIMATELY 20% OF THE BIT TIME OR ABOUT 1.6USEC. THE MODEL RSFR-1 REDUCES THIS ERROR TO UNDER 200NS (2.5%) FOR CRITICAL APPLICATIONS AND IS OPTO-ISOLATED.

LINK: [rs485.com/prsf2din.html](http://rs485.com/prsf2din.html)  
 M1 = 3.50" 2.75" (ACTUAL SIZE 1:1)



This drawing is the property of R. E. SMITH and shall not be used except with the written permission of R. E. SMITH, no copies shall be made of it and all proprietary rights in the matter contained in this drawing are the property of R. E. SMITH. COPYRIGHT - R. E. SMITH, 1996-2013		DRAWN BY RES	SUBJECT FAST CONVERTER	
SHEET 1 OF 1		DATE 4-21-08	FOR COMM CONVERSION	
RSFC2DIN		SCALE NONE	RES R. E. SMITH 10330 CHESTER ROAD CINCINNATI, OH 45215	
		CHKD. BY RES	DWG. NO. RSFC2DIN	REV. B