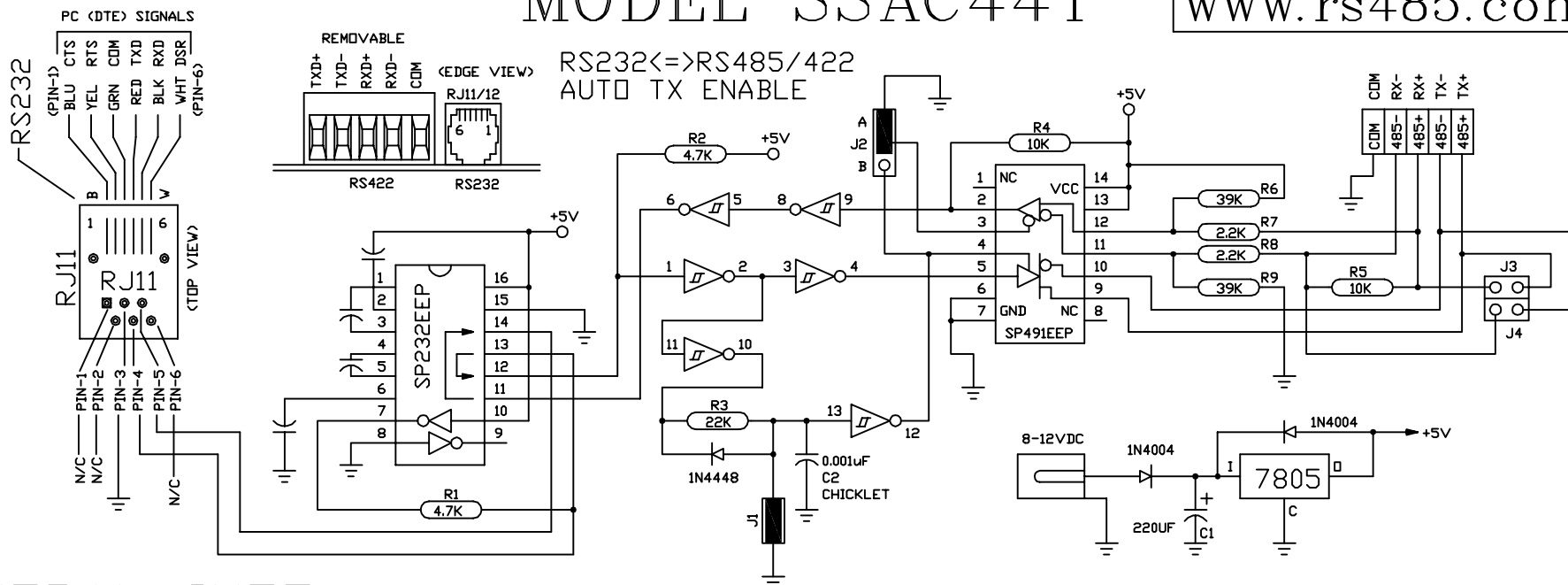


MODEL SSAC44T

www.rs485.com



GENERAL INFO.

FAST AUTOMATIC AUTO TX-ENABLE RS232 TO RS485 CONVERTER FOR 2/4-WIRE APPLICATIONS AT BAUD RATES UP TO 115.2K. LIMITED SLEW RATE DRIVERS WITH LIGHT ONBOARD BIAS AND TERMINATION.

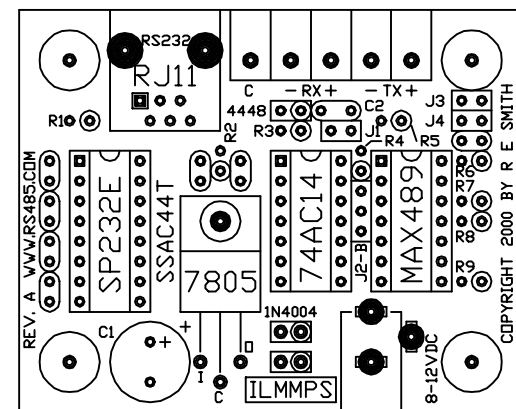
J1	J2	J3	J4	MODE
I	A	R	R	RS422(4-WIRE)*
R	A	R	R	RS422(AUTO-TX)
X	A	I	I	RS422(LOOP-TEST)
R	B	I	I	RS485(2-WIRE)
R	A	I	I	RS485(LOOP-TEST)

A=INSTALL A, B=INSTALL B, I=INSTALL
R=REMOVE, X=DDN'T CARE, *=FACTORY SETTING

SPECIFICATIONS

- 1) SIZE: 2.50" X 2.00" X 0.9" (PC BOARD) WITH CONNECTORS: 2.50" X 2.65"
- 2) MOUNTING HOLES: 4-PLACES 2.00" X 1.50" (#6 HARDWARE)
- 3) SP491EEP RS485 DRIVER IC
- 4) TEMPERATURE RANGE: -40C TO +85C
- 5) HUMIDITY: 10-90% RH NON-CONDENSING
- 6) BAUD: 300-115.2K
- 7) OPERATING VOLTAGE: 8-12VDC
- 8) TYPICAL POWER: UNDER 0.5W
- 9) HALF-DUPLEX 2/4-WIRE RS422/485 OF FULL-DUPLEX OPERATION

\$45.00ea 1-9 Qty.
\$35.00ea 100 Qty.
S1 = 2.50" X 2.00"
(ACTUAL SIZE 1:1)



LINK: rs485.com/pssac44l.html

RESSmith
www.rs485.com
10330 CHESTER ROAD, CINCINNATI, OHIO 45215
513-874-4796

OPTIONAL ENCLOSURE, CABLE (DB9F OR DB25F), AND POWER SUPPLY ARE AVAILABLE.

This drawing is the property of R. E. SMITH and shall not be used except with the written permission of R. E. SMITH, no copies shall be made of it and all proprietary rights in the matter contained in this drawing are the property of R. E. SMITH. COPYRIGHT - R. E. SMITH, 2000-2013		DRAWN BY RES	SUBJECT RS232/RS485	
DATE 2-17-00 REV 9-18-13		FOR AUTOMATIC CONV.		
SCALE NONE		RES R. E. SMITH 10330 CHESTER ROAD CINCINNATI, OH 45215		DWG. NO. SSAC44T
SHEET 1 OF 1	SSAC44T	CHKD. BY RES	REV. A	