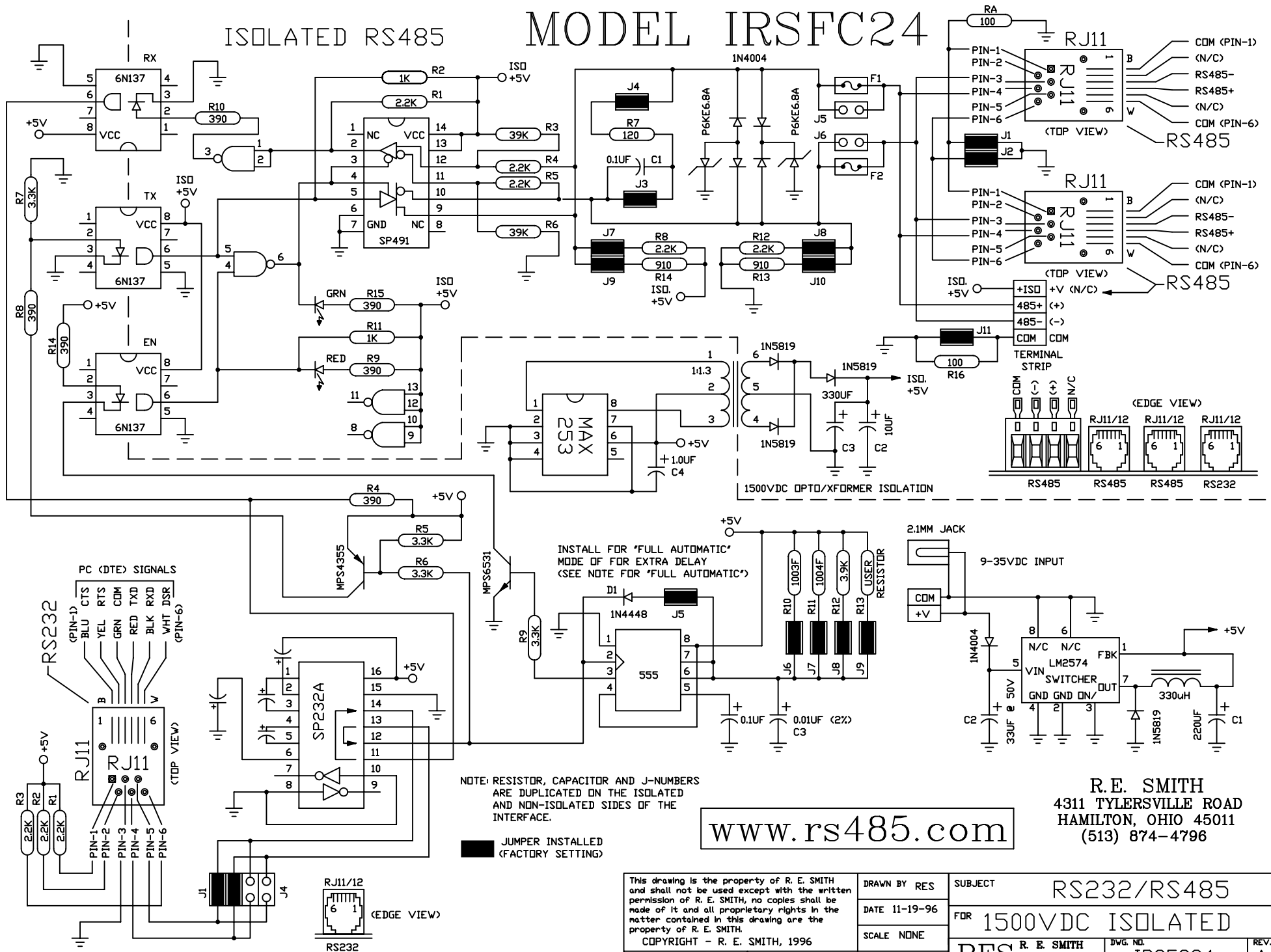


ISOLATED RS485

MODEL IRSFC24



NOTE: RESISTOR, CAPACITOR AND J-NUMBERS ARE DUPLICATED ON THE ISOLATED AND NON-ISOLATED SIDES OF THE INTERFACE.

■ JUMPER INSTALLED (FACTORY SETTING)

www.rs485.com

R. E. SMITH
4311 TYLERSVILLE ROAD
HAMILTON, OHIO 45011
(513) 874-4796

This drawing is the property of R. E. SMITH and shall not be used except with the written permission of R. E. SMITH, no copies shall be made of it and all proprietary rights in the matter contained in this drawing are the property of R. E. SMITH. COPYRIGHT - R. E. SMITH, 1996		DRAWN BY RES	SUBJECT RS232/RS485	
SHEET 1 OF 1		DATE 11-19-96	FOR 1500VDC ISOLATED	
IRSFC24		SCALE NONE	RES R. E. SMITH 4311 TYLERSVILLE RD. HAMILTON, OHIO 45011	
CHKD. BY RES		DWG. NO. IRSFC24		REV. A