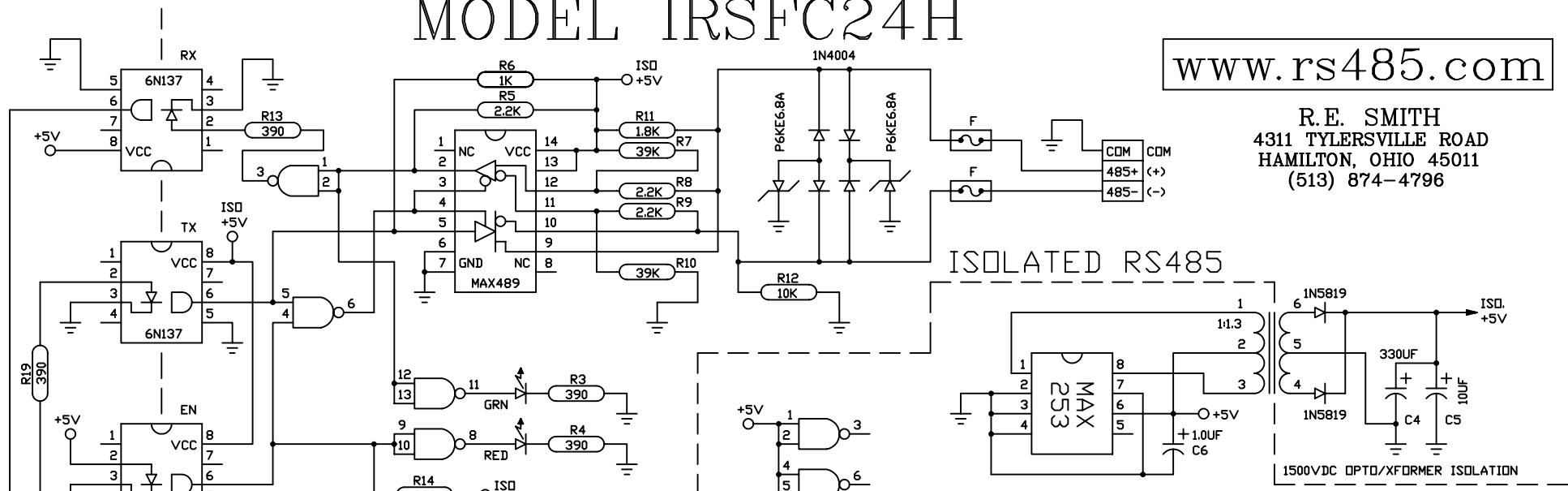


MODEL IRSFC24H

www.rs485.com

R. E. SMITH
4311 TYLERSVILLE ROAD
HAMILTON, OHIO 45011
(513) 874-4796

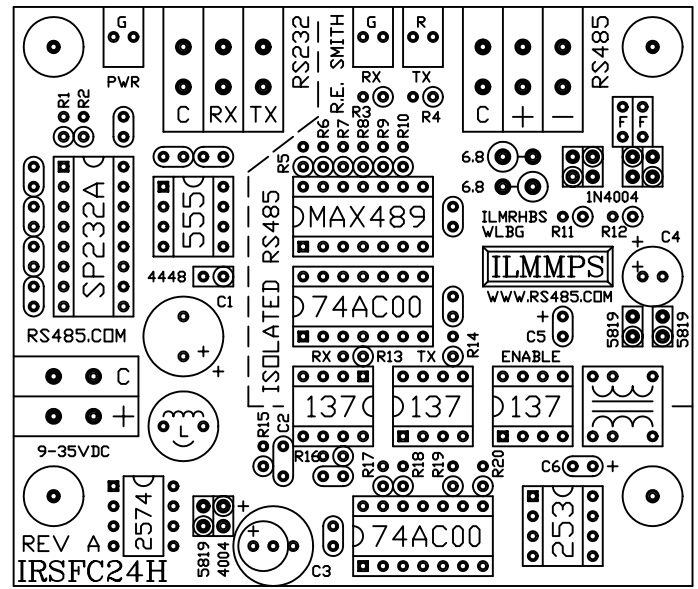


ISOLATED RS485

1500VDC OPTO/XFORMER ISOLATION

ACTUAL SIZE

www.rs485.com



This drawing is the property of R. E. SMITH and shall not be used except with the written permission of R. E. SMITH, no copies shall be made of it and all proprietary rights in the matter contained in this drawing are the property of R. E. SMITH. COPYRIGHT - R. E. SMITH, 1999		DRAWN BY RES	SUBJECT
DATE 6-28-99		RS232/RS485	
SCALE NONE		FOR 1500VDC ISOLATED	
SHEET 1 OF 1		CHKD. BY RES	REV. A
IRSFC24H		R. E. SMITH 4311 TYLERSVILLE RD. HAMILTON, OHIO 45011	
		DWG. NO. IRSFC24H	