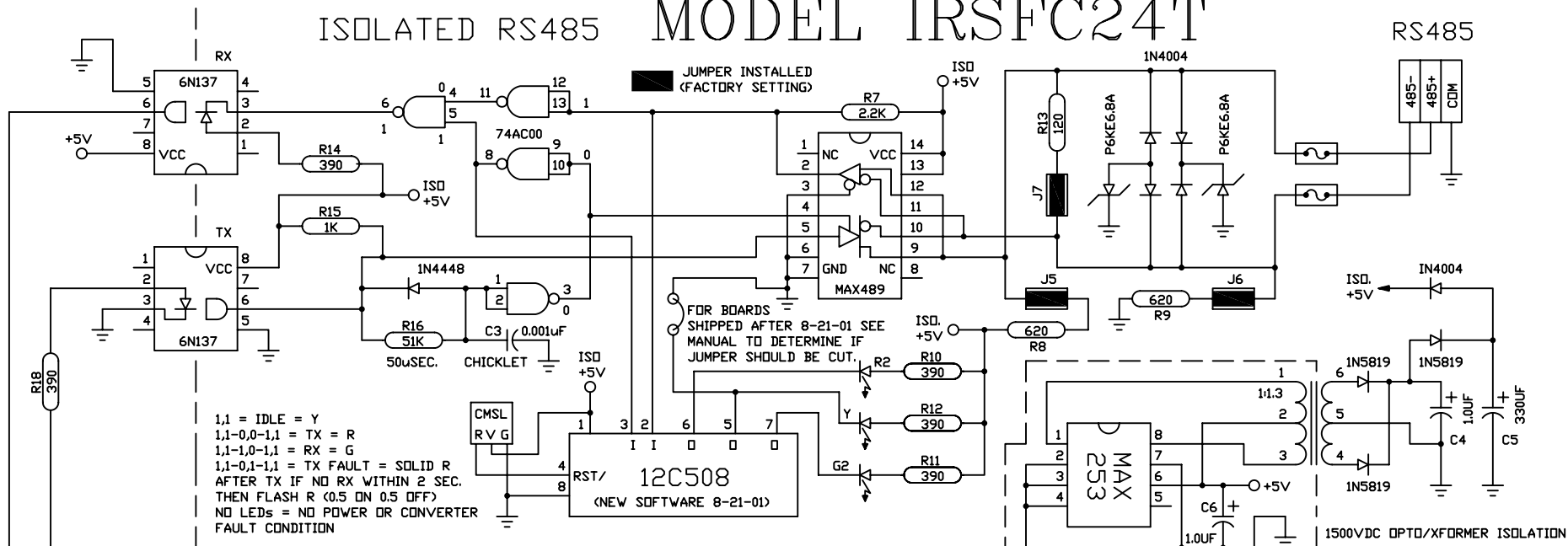
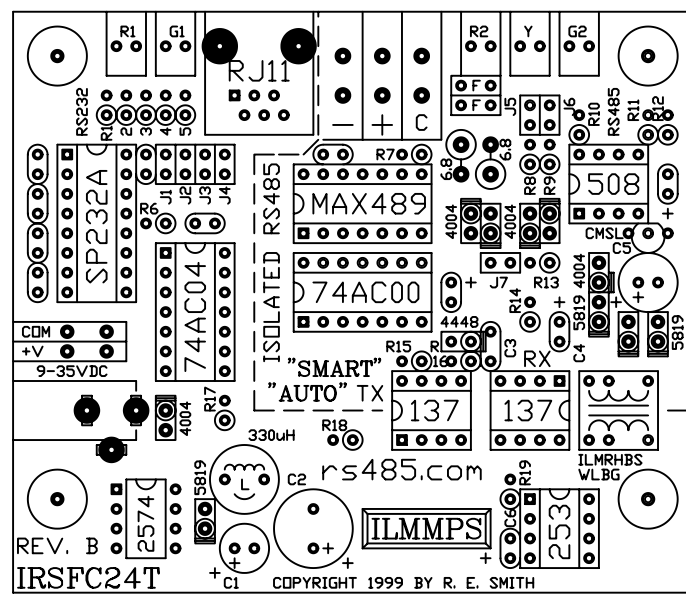
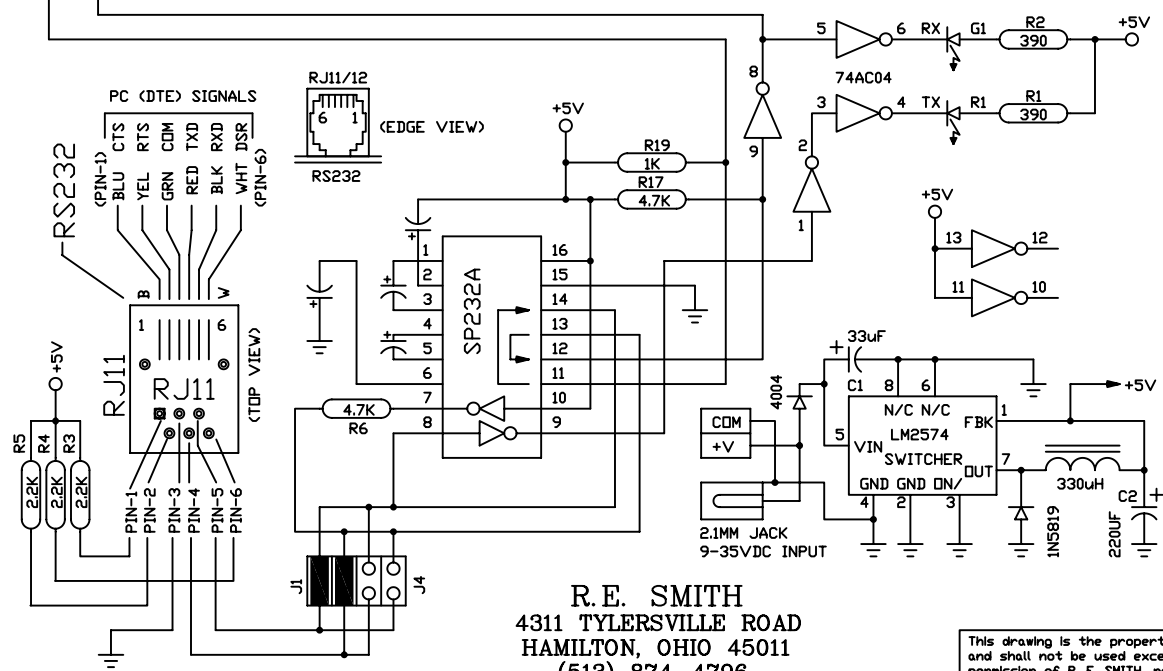


# ISOLATED RS485 MODEL IRSFC24T

RS485



1,1 = IDLE = Y  
 1,1-0,0-1,1 = TX = R  
 1,1-1,0-1,1 = RX = G  
 1,1-0,1-1,1 = TX FAULT = SOLID R  
 AFTER TX IF NO RX WITHIN 2 SEC.  
 THEN FLASH R (0.5 ON 0.5 OFF)  
 NO LEDS = NO POWER OR CONVERTER  
 FAULT CONDITION



R. E. SMITH  
 4311 TYLERSVILLE ROAD  
 HAMILTON, OHIO 45011  
 (513) 874-4796

[www.rs485.com](http://www.rs485.com)

**IMPORTANT NOTE:**  
 SEE MANUAL FOR MODE OF  
 OPERATION JUMPER INFO.

This drawing is the property of R. E. SMITH and shall not be used except with the written permission of R. E. SMITH, no copies shall be made of it and all proprietary rights in the matter contained in this drawing are the property of R. E. SMITH. COPYRIGHT - R. E. SMITH, 1999		DRAWN BY RES	SUBJECT "AUTO" RS232/RS485
DATE 6-6-99 (REV 8-21-01)		FOR	1500VDC ISOLATED
SCALE NONE		RES R. E. SMITH DVG. NO. 4311 TYLERSVILLE RD. HAMILTON, OHIO 45011	IRSFC24T
SHEET 1 OF 1	IRSFC24T	CHKD. BY RES	B