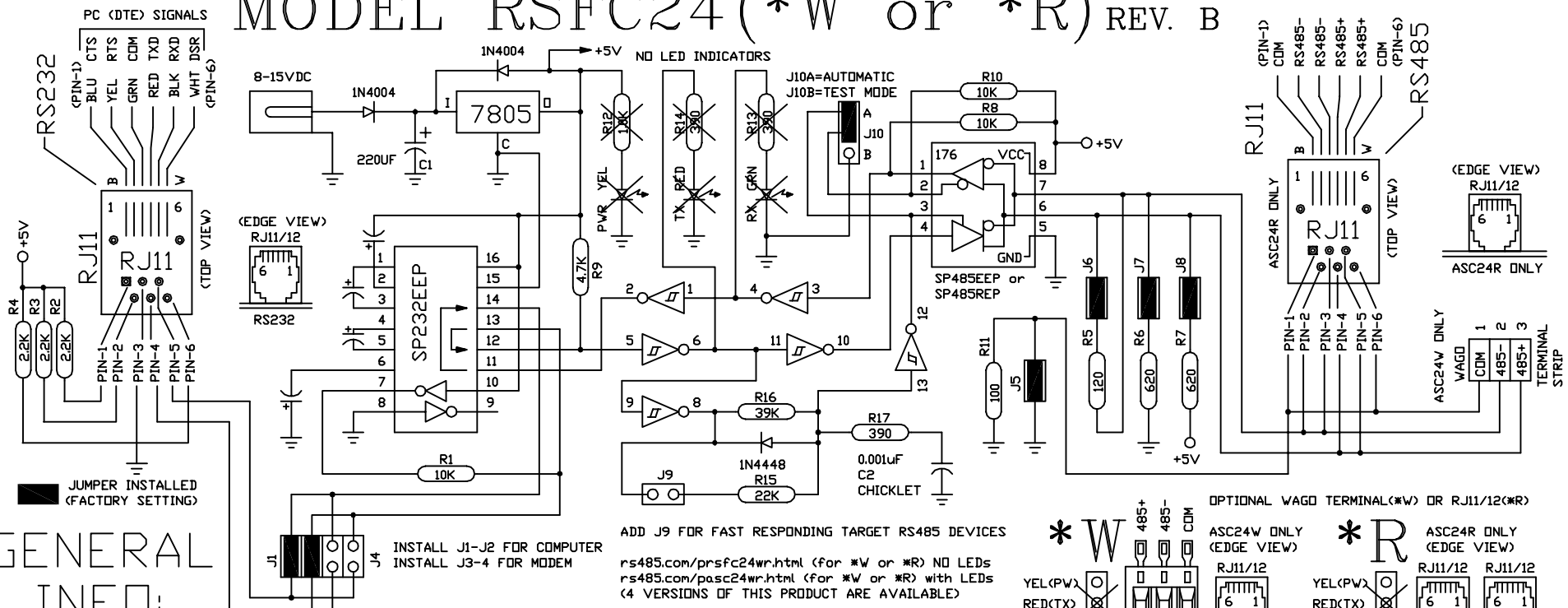


# MODEL RSFC24 (\*W or \*R) REV. B



## GENERAL INFO:

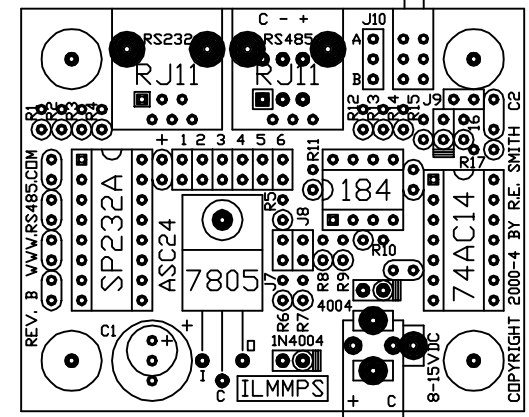
FAST AUTOMATIC TRANSMIT-ENABLE RS232<=>RS485 CONVERTER FOR 2-WIRE APPLICATIONS AT DATA RATES UP TO 115.2K. NO LED INDICATORS (SEE ASC24 FOR LEDs) ONBOARD BIAS AND TERMINATION, SIPEX SP485EEP or SP485REP IC WITH HIGH ESD TOLERANCE, TEST MODE JUMPER, AND FAST AUTO TRANSMIT ENABLE TIMING.  
 \*W=WAGO RS485 CONNECTION  
 \*R=RJ11/12 RS485 CONNECTION

ADD J9 FOR FAST RESPONDING TARGET RS485 DEVICES  
 rs485.com/prsfc24wr.html (for \*W or \*R) NO LEDs  
 rs485.com/pasc24wr.html (for \*W or \*R) with LEDs  
 (4 VERSIONS OF THIS PRODUCT ARE AVAILABLE)

## SPECIFICATIONS

- 1) SIZE: 2.50" X 2.00" X 0.9" (PC BOARD) WITH CONNECTORS: 2.50" X 2.25"
- 2) MOUNTING HOLES: 4-PLACES 2.00" X 1.50" (#6 HARDWARE)
- 3) SIPEX SP485EEP or SP485REP IC WITH BUILT-IN ESD PROTECTION
- 4) TEMPERATURE RANGE: -40C TO 85C
- 5) HUMIDITY: 10-90% RH NON-CONDENSING
- 6) SPEED: UP TO 115.2Kbps @ 4000ft.
- 7) OPERATING VOLTAGE: 8-15VDC
- 8) TYPICAL POWER: UNDER 0.5W
- 9) HALF-DUPLEX 2-WIRE RS485

ACTUAL SIZE (1:1)  
 S1 = 2.50" X 2.00"



**RES**Smith  
 WWW.RS485.COM  
 10330 CHESTER ROAD, CINCINNATI, OHIO 45215  
 513-874-4796

OPTIONAL ENCLOSURE, CABLE (DB9F OR DB25F), AND POWER SUPPLY ARE AVAILABLE.

This drawing is the property of R. E. SMITH and shall not be used except with the written permission of R. E. SMITH, no copies shall be made of it and all proprietary rights in the matter contained in this drawing are the property of R. E. SMITH. COPYRIGHT - R. E. SMITH, 2000-2013		DRAWN BY RES	SUBJECT RS232<=>RS485	
SHEET 1 OF 1		DATE 8-14-04 REV 9-16-13	FOR AUTOMATIC CONV.	
RSFC24		SCALE NONE	RES R. E. SMITH 10330 CHESTER ROAD CINCINNATI, OH 45215	
CHKD. BY RES		DVG. NO. RSFC24		REV. B