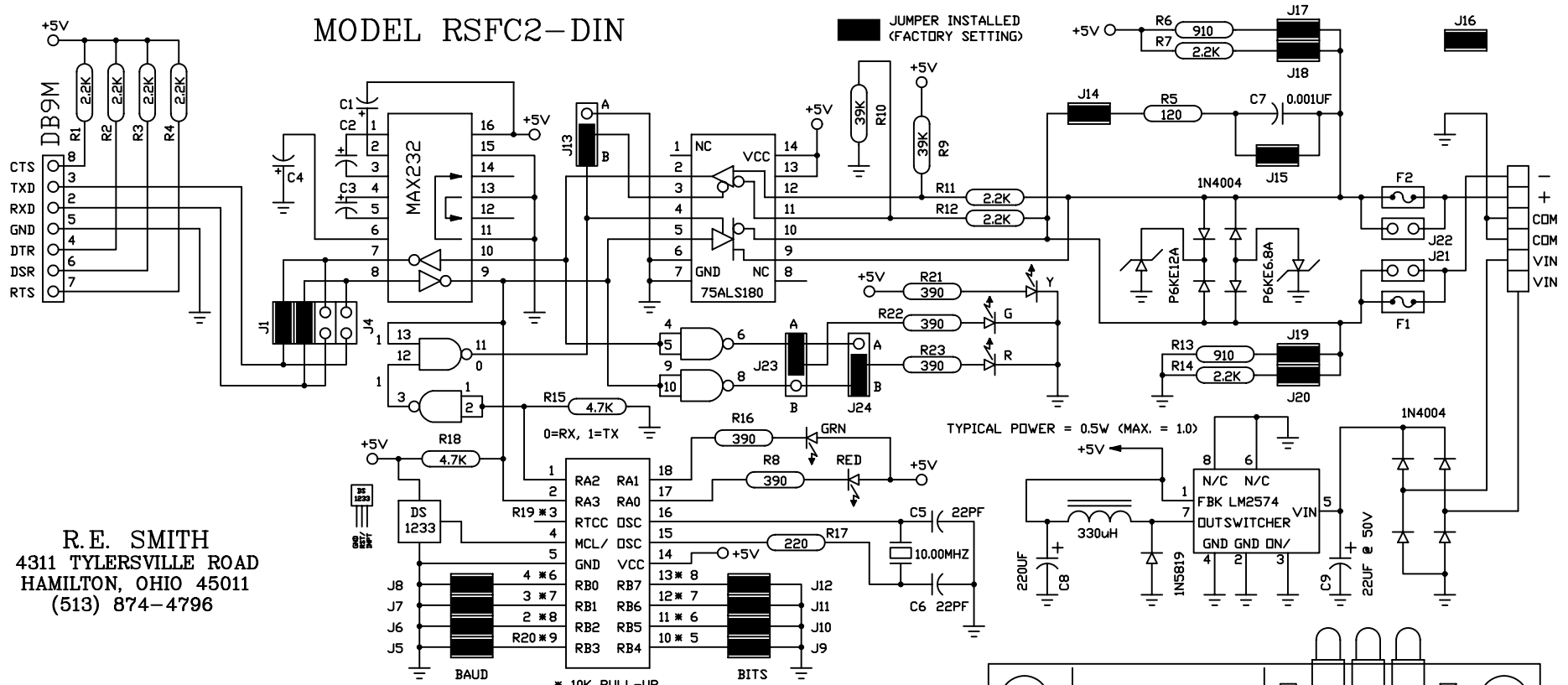


# MODEL RSFC2-DIN



R. E. SMITH  
4311 TYLERSVILLE ROAD  
HAMILTON, OHIO 45011  
(513) 874-4796

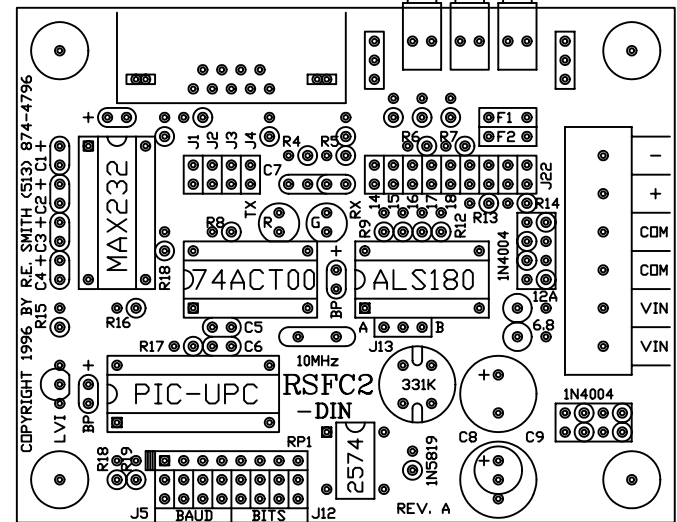
NOTE: REMOVE POWER TO CHANGE BAUD/BIT JUMPERS (J5 - J12)

| BAUD   | J5      | J6      | J7      | J8      |
|--------|---------|---------|---------|---------|
| 300    | REMOVE  | REMOVE  | REMOVE  | REMOVE  |
| 600    | REMOVE  | REMOVE  | REMOVE  | INSTALL |
| 1200   | REMOVE  | REMOVE  | INSTALL | REMOVE  |
| 2400   | REMOVE  | REMOVE  | INSTALL | INSTALL |
| 4800   | REMOVE  | INSTALL | REMOVE  | REMOVE  |
| 9600   | REMOVE  | INSTALL | REMOVE  | INSTALL |
| 19200  | REMOVE  | INSTALL | INSTALL | REMOVE  |
| 38400  | REMOVE  | INSTALL | INSTALL | INSTALL |
| 57600  | INSTALL | REMOVE  | REMOVE  | REMOVE  |
| 76800  | INSTALL | REMOVE  | REMOVE  | INSTALL |
| 115200 | INSTALL | REMOVE  | INSTALL | REMOVE  |
| RESVD  | INSTALL | REMOVE  | INSTALL | INSTALL |
| RESVD  | INSTALL | INSTALL | REMOVE  | REMOVE  |
| RESVD  | INSTALL | INSTALL | REMOVE  | INSTALL |
| RXONLY | INSTALL | INSTALL | INSTALL | REMOVE  |
| 9600*  | INSTALL | INSTALL | INSTALL | INSTALL |

RXONLY = FLASH GRN, RESVD = FLASH RED  
\* FACTORY SETTING FOR 9600, N, 8, 1 WITH JUMPERS J9 THRU J12 IGNORED (XXXX) FOR ALL OTHER BAUD RATES REMOVE JUMPERS AS REQUIRED.

| TOTAL BITS: START, PARITY, DATA, STOP | BITS    |         |         |         | EXAMPLE |
|---------------------------------------|---------|---------|---------|---------|---------|
|                                       | J9      | J10     | J11     | J12     |         |
| 6                                     | REMOVE  | REMOVE  | REMOVE  | REMOVE  |         |
| 6-1/2                                 | REMOVE  | REMOVE  | REMOVE  | INSTALL |         |
| 7                                     | REMOVE  | REMOVE  | INSTALL | REMOVE  |         |
| 7-1/2                                 | REMOVE  | REMOVE  | INSTALL | INSTALL |         |
| 8                                     | REMOVE  | INSTALL | REMOVE  | REMOVE  |         |
| 8-1/2                                 | REMOVE  | INSTALL | REMOVE  | INSTALL |         |
| 9                                     | REMOVE  | INSTALL | INSTALL | REMOVE  | N, 7, 1 |
| 9-1/2                                 | REMOVE  | INSTALL | INSTALL | INSTALL |         |
| 10                                    | INSTALL | REMOVE  | REMOVE  | REMOVE  | N, 8, 1 |
| 10-1/2                                | INSTALL | REMOVE  | REMOVE  | INSTALL |         |
| 11                                    | INSTALL | REMOVE  | INSTALL | REMOVE  | N, 8, 2 |
| 11-1/2                                | INSTALL | REMOVE  | INSTALL | INSTALL |         |
| 12                                    | INSTALL | INSTALL | REMOVE  | REMOVE  |         |
| 12-1/2                                | INSTALL | INSTALL | REMOVE  | INSTALL |         |
| 13                                    | INSTALL | INSTALL | INSTALL | REMOVE  |         |
| 13-1/2                                | INSTALL | INSTALL | INSTALL | INSTALL |         |

NOTES: AT 115.2K BAUD THE START BIT ERROR IS APPROXIMATELY 20% OF THE BIT TIME OR ABOUT 1.6USEC. THE MODEL RSFR-1 REDUCES THIS ERROR TO UNDER 200NS (2.5%) FOR CRITICAL APPLICATIONS AND IS OPTO-ISOLATED.



|   |  |              |   |
|---|--|--------------|---|
| This drawing is the property of R. E. SMITH and shall not be used except with the written permission of R. E. SMITH, no copies shall be made of it and all proprietary rights in the matter contained in this drawing are the property of R. E. SMITH.<br>COPYRIGHT - R. E. SMITH, 1996 |  | DRAWN BY RES | SUBJECT FAST CONVERTER                                    |
| SHEET 1 OF 1  |  | DATE 5-29-96 | FOR COMM CONVERSION                                       |
| RSFC2DIN  |  | SCALE NONE   | RES R. E. SMITH 4311 TYLERSVILLE RD. HAMILTON, OHIO 45011 |
| CHKD. BY RES  |  |              | DWG. NO. RSFC2DIN   |
|   |  |              | REV. A  |