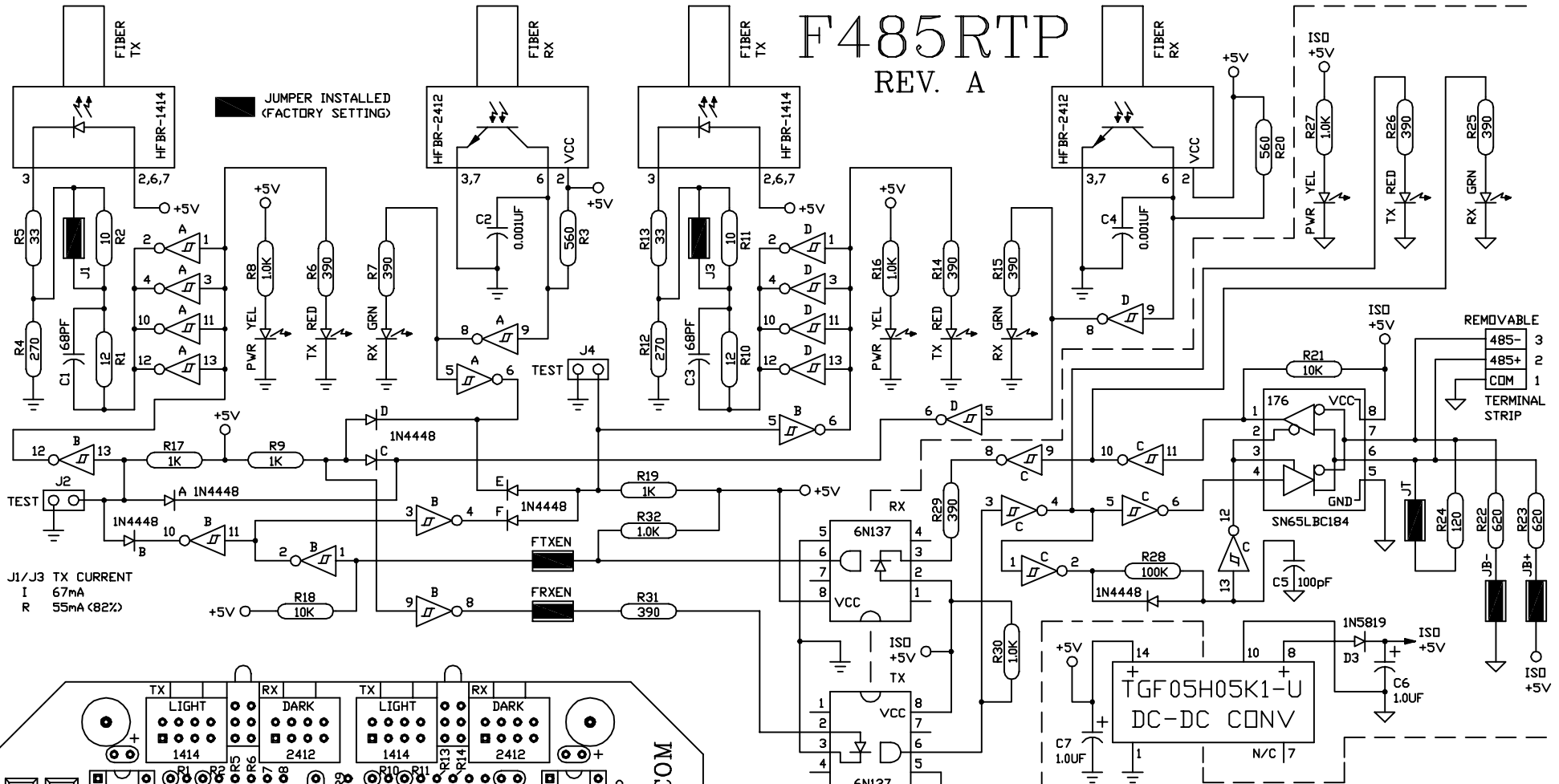


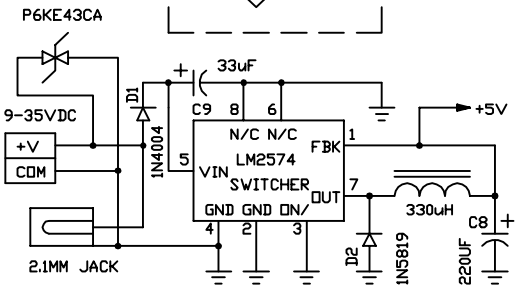
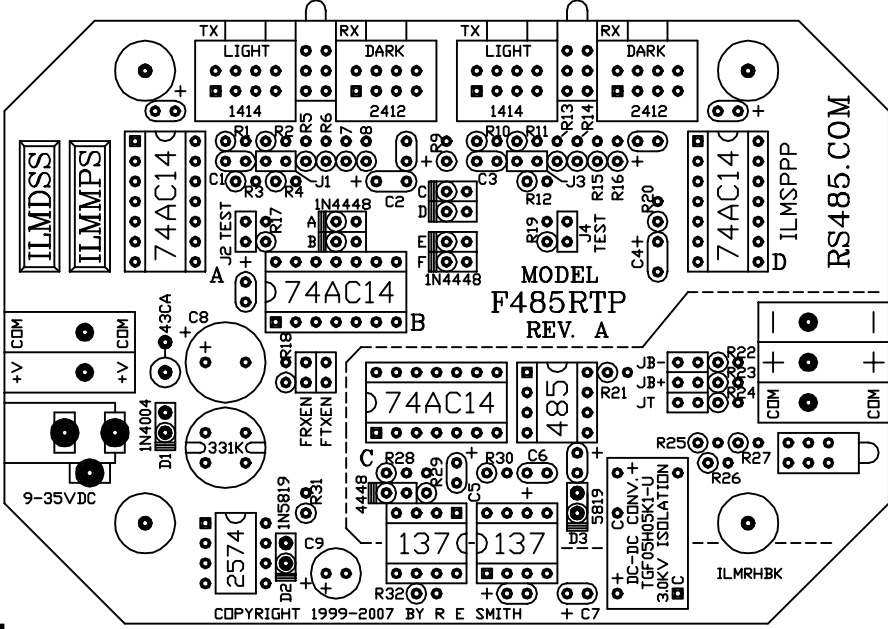
F485RTP

REV. A



J1/J3 TX CURRENT
 I 67mA
 R 55mA (82%)

JUMPER INSTALLED
 (FACTORY SETTING)



RESsmith
 WWW.RS485.COM
 10330 CHESTER ROAD, CINCINNATI, OHIO 45215
 513-874-4796

This drawing is the property of R. E. SMITH and shall not be used except with the written permission of R. E. SMITH, no copies shall be made of it and all proprietary rights in the matter contained in this drawing are the property of R. E. SMITH. COPYRIGHT - R. E. SMITH, 2001-2010		DRAWN BY RES	SUBJECT FIBER-REPEATER &	
SHEET 1 OF 1		DATE 6-24-07	FOR ISD, RS485 TAP PT.	
F485RTP		SCALE NONE	RES R. E. SMITH 10330 CHESTER ROAD CINCINNATI, OHIO 45215	
CHKD. BY RES		DVG. NO. F485RTP		REV. A