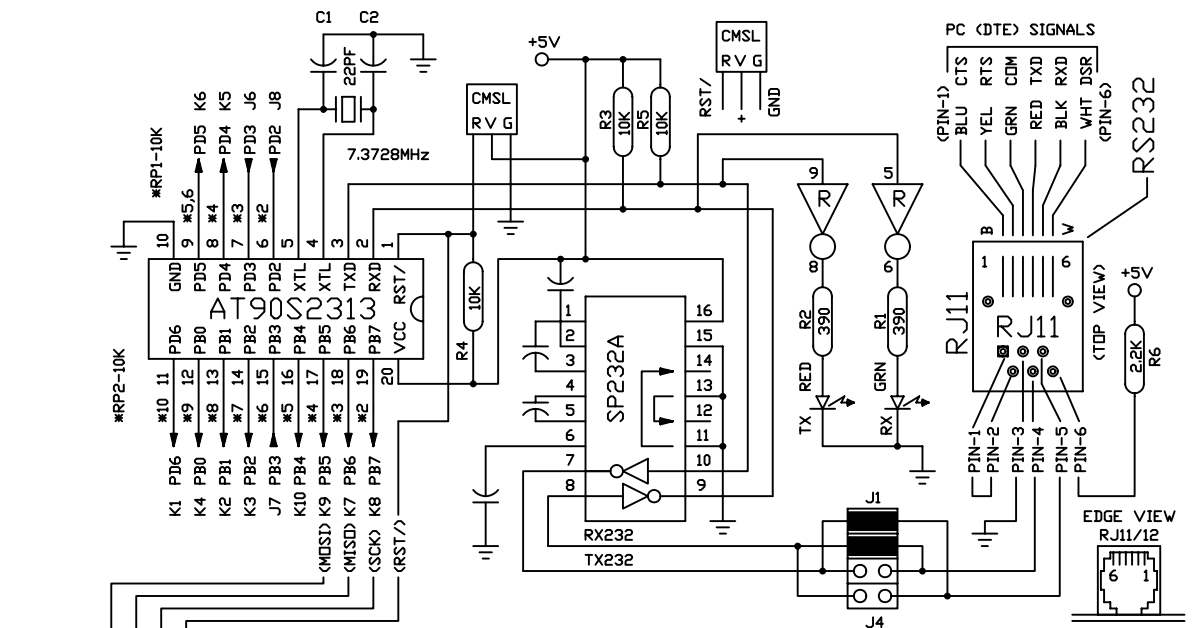
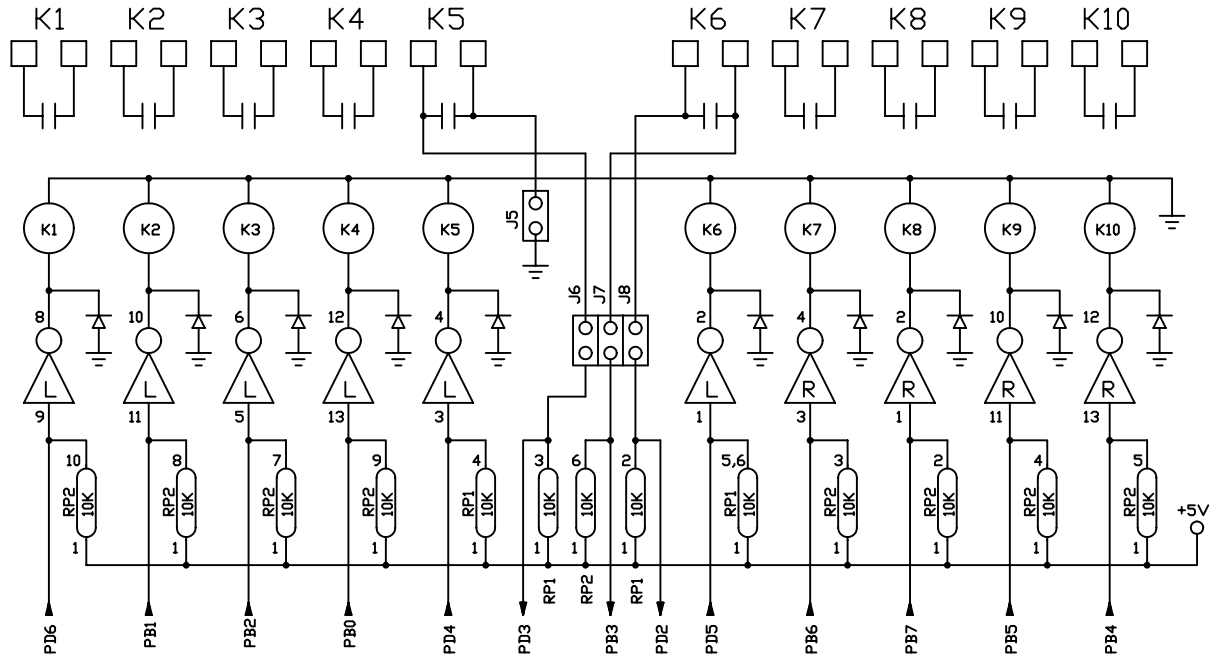
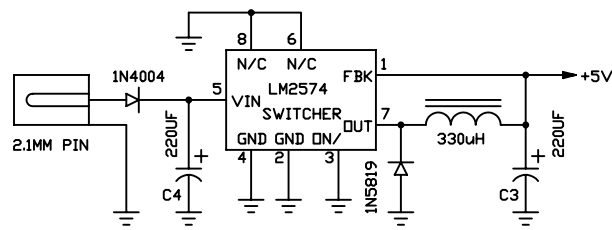
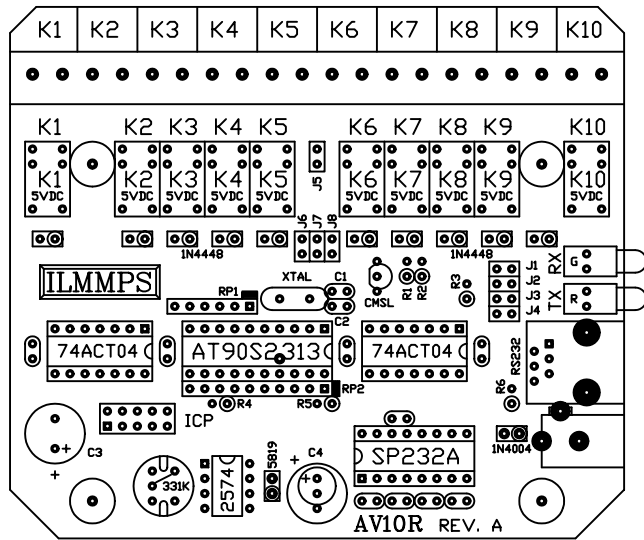


MODEL AV10R

RS232 TO 10 FORM-A RELAY
OUTPUTS (1A @ 30VDC)

R. E. SMITH
4311 TYLERSVILLE ROAD
HAMILTON, OHIO 45011
513-874-4796
www.rs485.com

THREE QUARTER SCALE



<p>This drawing is the property of R. E. SMITH and shall not be used except with the written permission of R. E. SMITH, no copies shall be made of it and all proprietary rights in the matter contained in this drawing are the property of R. E. SMITH.</p> <p>COPYRIGHT - R. E. SMITH, 1999</p>		<p>DRAWN BY RES</p> <p>DATE 4-5-99</p> <p>SCALE NONE</p> <p>CHKD. BY RES</p>	<p>SUBJECT CORE PROCESSOR</p> <p>FOR 10-RELAY OUTPUTS</p> <p>R. E. SMITH 4311 TYLERSVILLE RD. HAMILTON, OHIO 45011</p> <p>DWG. NO. AV10R</p> <p>REV. A</p>
SHEET 1 OF 1	AV10R		