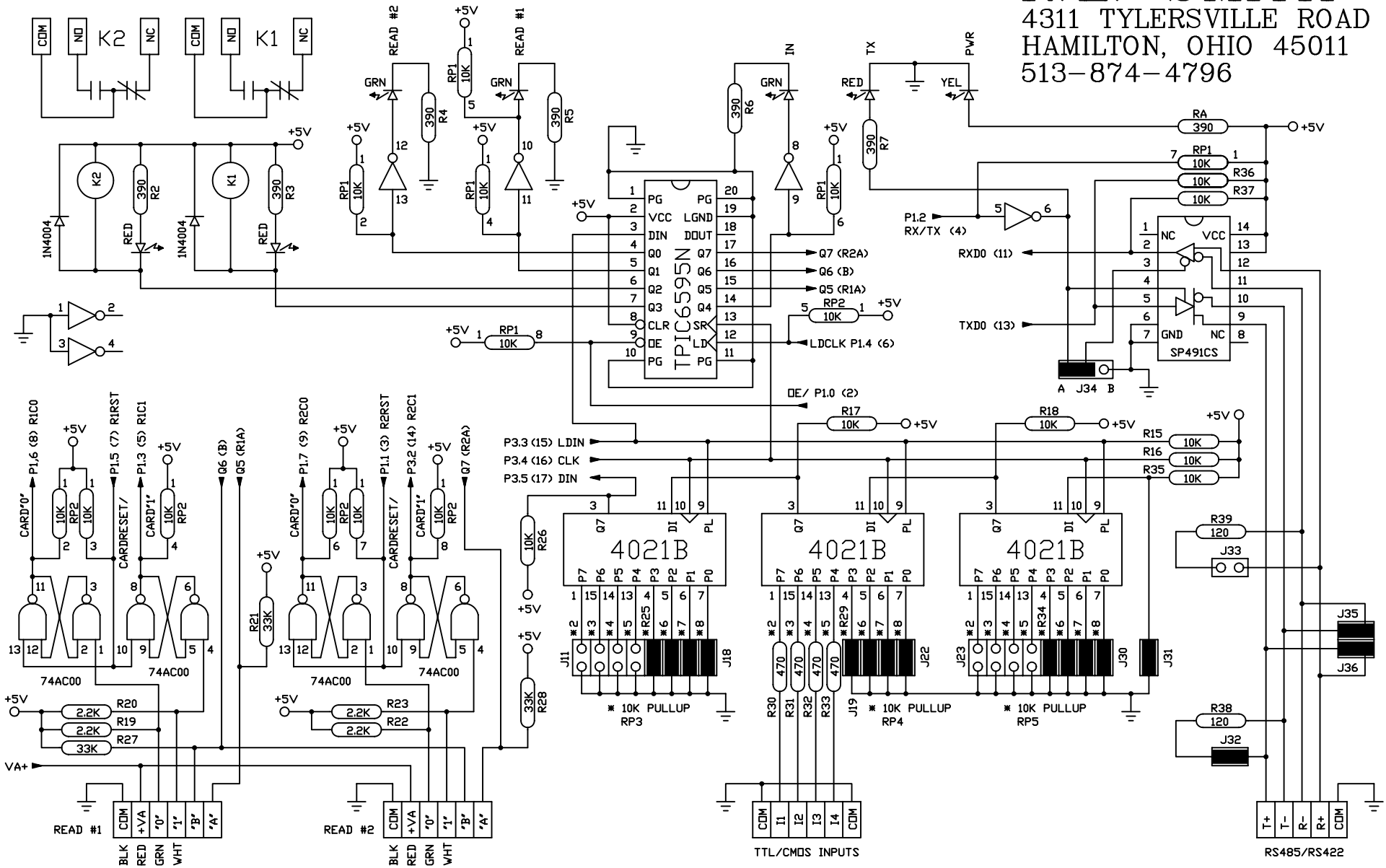


# MODEL DSC2 REV. A

R. E. SMITH  
 4311 TYLERSVILLE ROAD  
 HAMILTON, OHIO 45011  
 513-874-4796



www.rs485.com

R. E. SMITH 513-874-4796

JUMPER INSTALLED (FACTORY SETTING)

This drawing is the property of R. E. SMITH and shall not be used except with the written permission of R. E. SMITH, no copies shall be made of it and all proprietary rights in the matter contained in this drawing are the property of R. E. SMITH. COPYRIGHT - R. E. SMITH, 1999		DRAWN BY RES	SUBJECT MODEL DSC2
		DATE 7-16-99	FOR DIGITAL I/O
		SCALE NONE	
SHEET 1 OF 1	DSC210	CHKD. BY RES	RES R. E. SMITH 4311 TYLERSVILLE RD. HAMILTON, OHIO 45011
			DWG. NO. DSC210
			REV. A