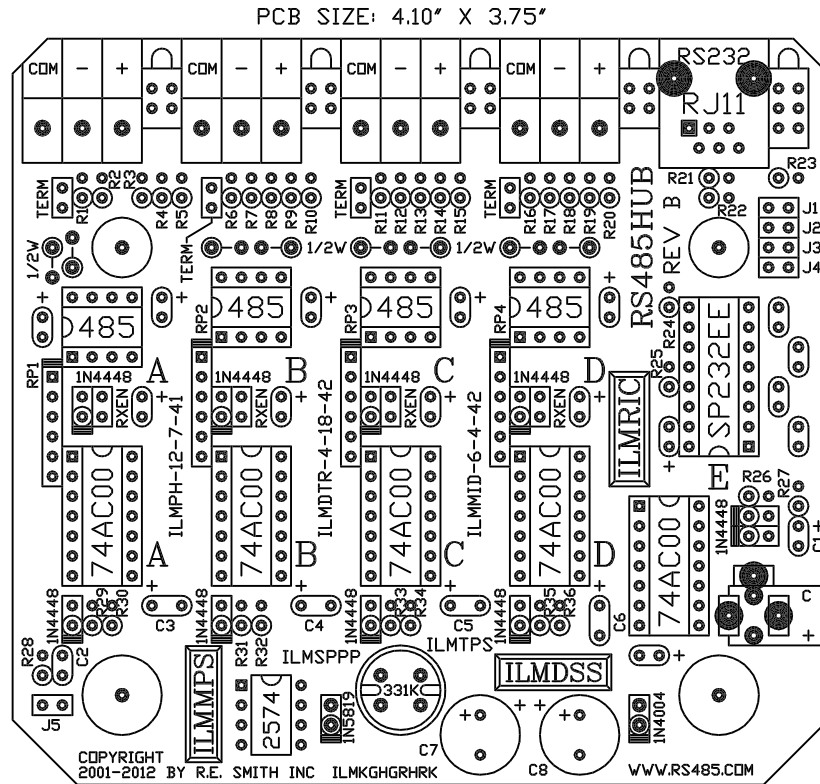


# RS485HUB NON-ISOLATED REPEATER HUB

## 4-RS485 & 1-RS232 PORTS FOR HALF-DUPLEX COMMUNICATIONS

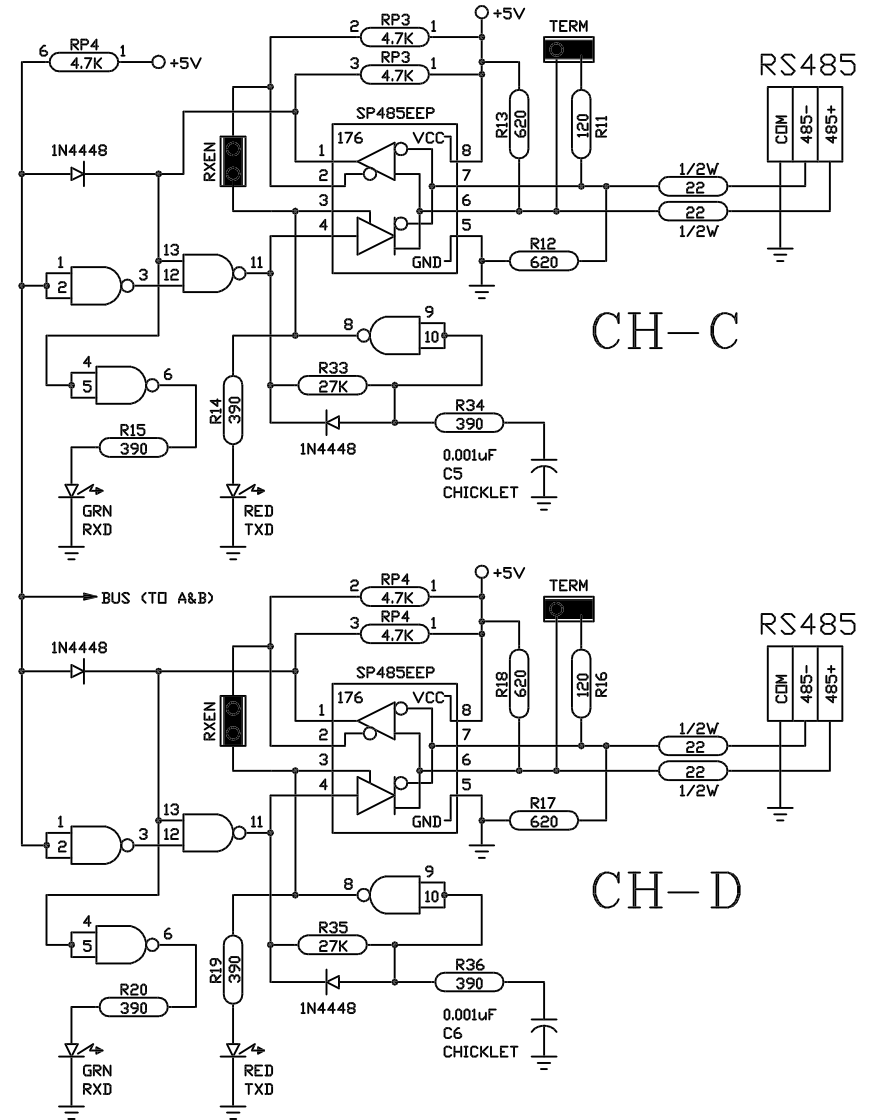
REV. B



LINK: [rs485.com/prs485hub.html/](http://rs485.com/prs485hub.html/)

**RESmith**  
**WWW.RS485.COM**  
 10330 CHESTER ROAD, CINCINNATI, OHIO 45215  
**513-874-4796**

■ JUMPER INSTALLED  
 (FACTORY SETTING)



This drawing is the property of R. E. SMITH and shall not be used except with the written permission of R. E. SMITH, no copies shall be made of it and all proprietary rights in the matter contained in this drawing are the property of R. E. SMITH. COPYRIGHT - R. E. SMITH, 2001-2020		DRAWN BY RES	SUBJECT "AUTO" X5 REPEATER	
		DATE 12-7-11 REV. 7-21-18	FOR DISTRIBUTION HUB	
		SCALE NONE	RES R. E. SMITH 10330 CHESTER ROAD CINCINNATI, OH 45215	
SHEET 1 OF 1	RS485HCD	CHKD. BY RES	DWG. NO. RS485HCD	REV. B