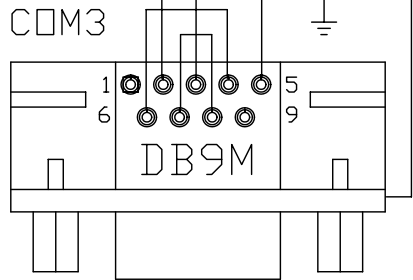
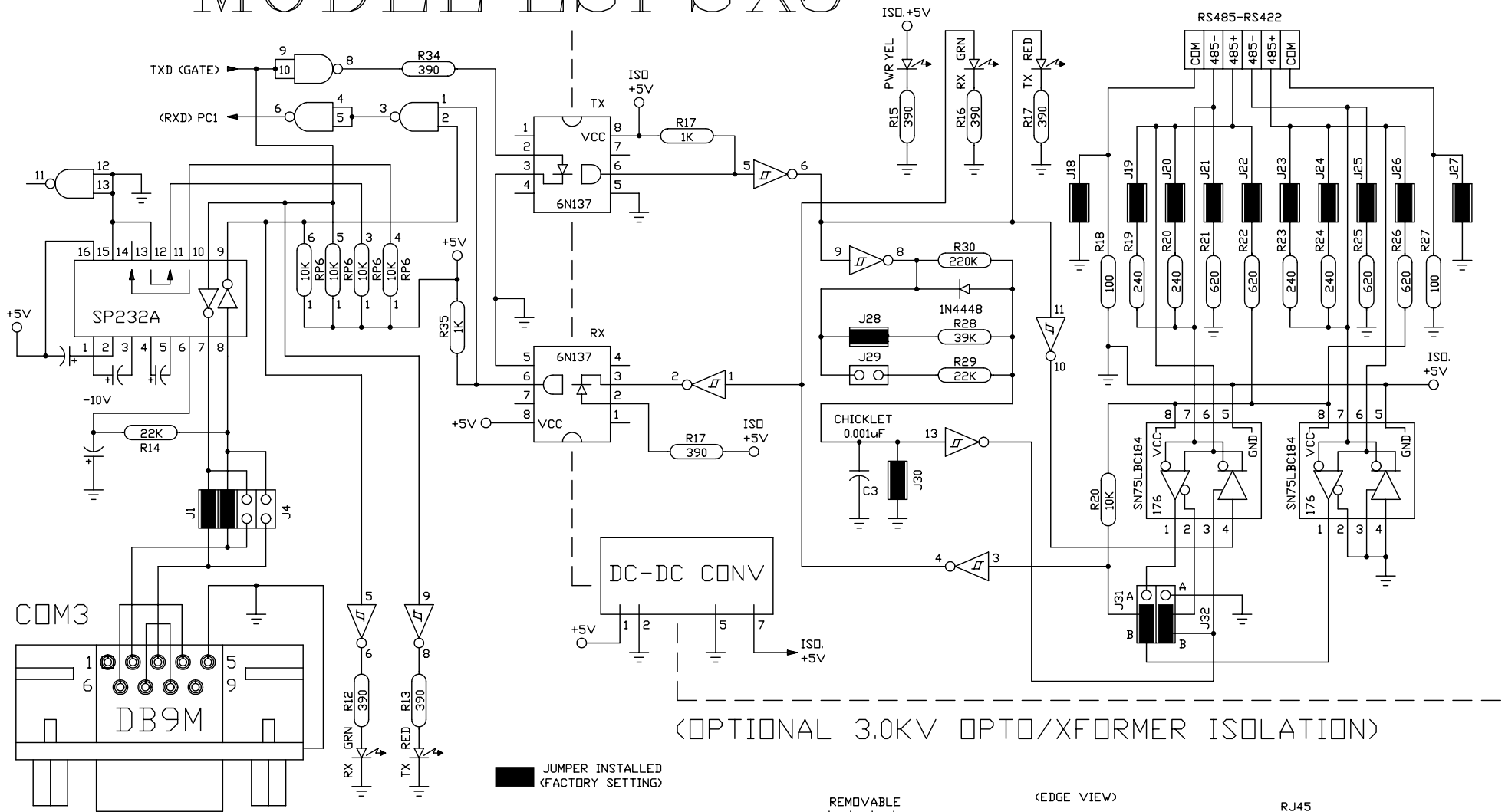
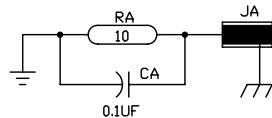


MODEL ESPSX3



(OPTIONAL 3.0KV OPTO/XFORMER ISOLATION)

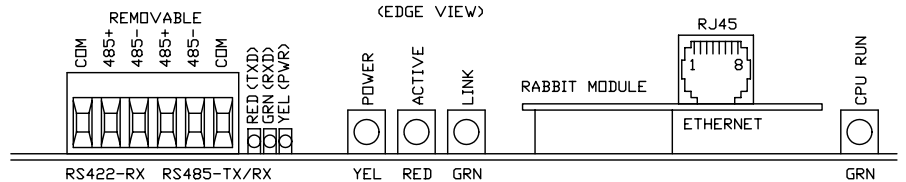
■ JUMPER INSTALLED
(FACTORY SETTING)



R. E. SMITH
4311 TYLERSVILLE ROAD
HAMILTON, OHIO 45011
513-874-4796

www.rs485.com

ESPSX3CPU
ESPSX3485
ESPSX3SS



This drawing is the property of R. E. SMITH and shall not be used except with the written permission of R. E. SMITH, no copies shall be made of it and all proprietary rights in the matter contained in this drawing are the property of R. E. SMITH. COPYRIGHT - R. E. SMITH, 2001		DRAWN BY RES	SUBJECT ENET<=>RS232/485	
SHEET 1 OF 1		DATE 5-26-01	FOR ENET SERIAL SERVER	
ESPSX3485		SCALE NONE	RES R. E. SMITH 4311 TYLERSVILLE RD. HAMILTON, OHIO 45011	
ESPSX3485		CHKD. BY RES	DWG. NO. ESPSX3485	
			REV. A	