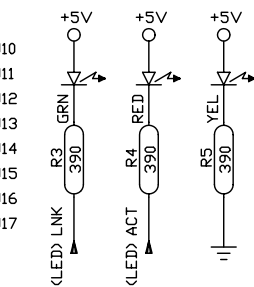
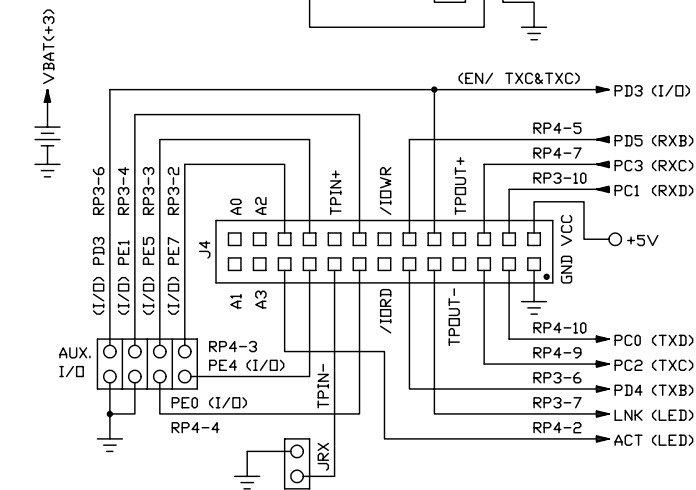
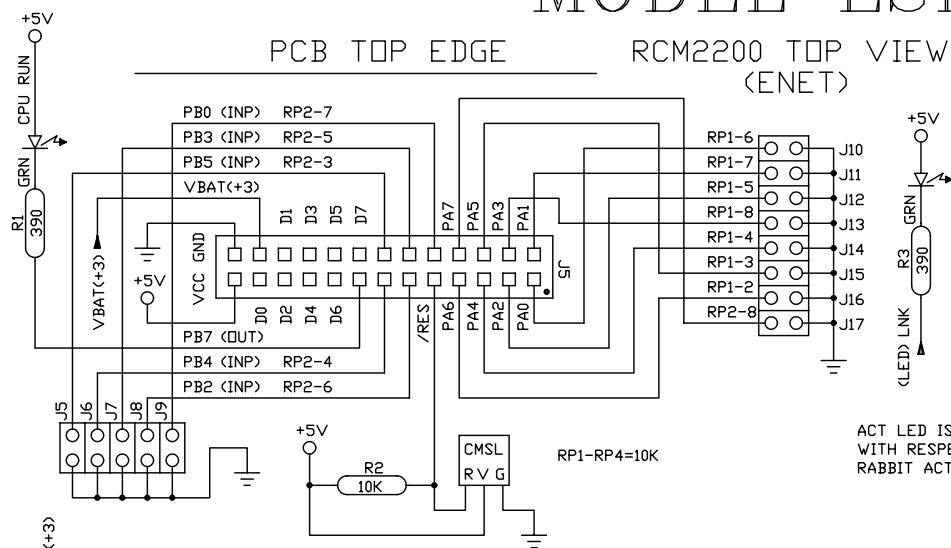
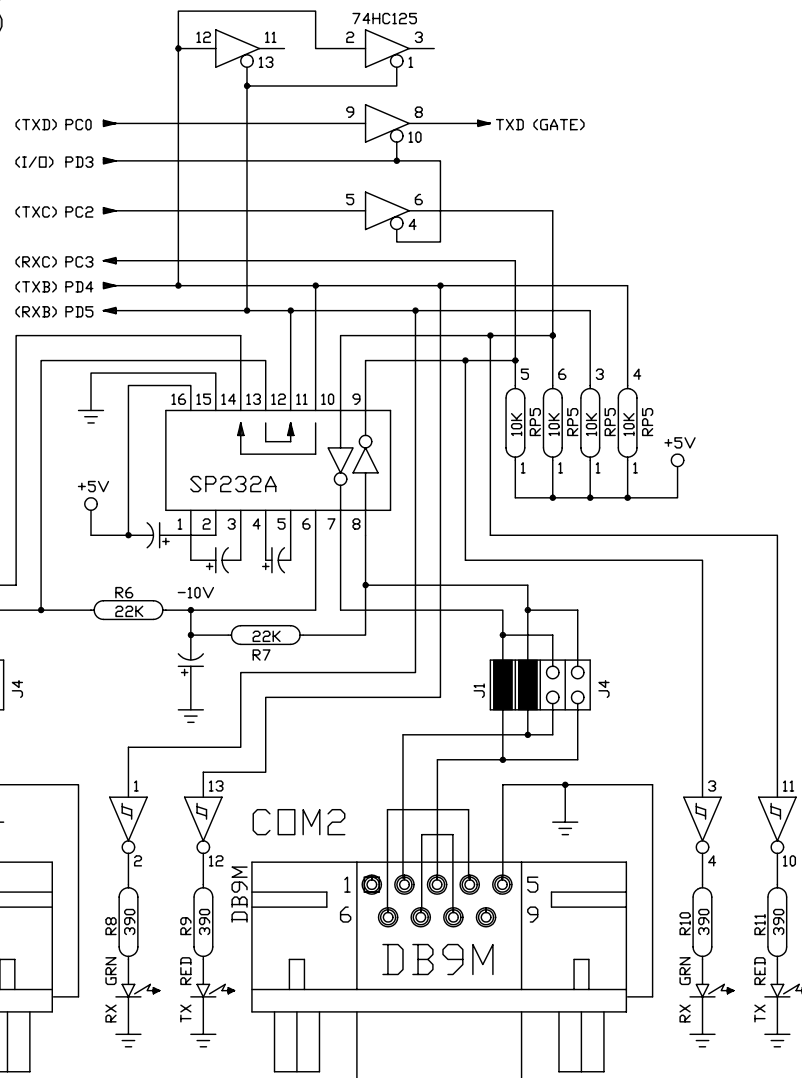


MODEL ESPSX3

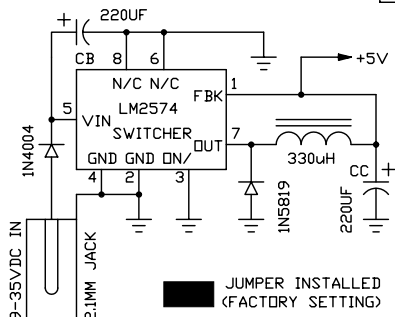


ACT LED IS INVERTER WITH RESPECT TO RABBIT ACTIVE LED.



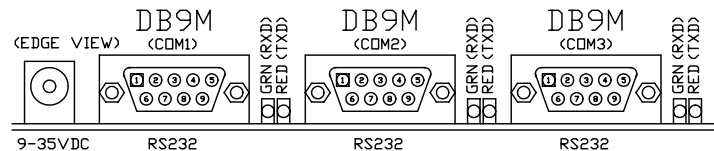
R. E. SMITH
 4311 TYLERSVILLE RD.
 HAMILTON, OHIO 45011
 513-874-4796

www.rs485.com



JUMPER INSTALLED (FACTORY SETTING)

ESPSX3CPU
 ESPSX3485
 ESPSX3SS



This drawing is the property of R. E. SMITH and shall not be used except with the written permission of R. E. SMITH, no copies shall be made of it and all proprietary rights in the matter contained in this drawing are the property of R. E. SMITH. COPYRIGHT - R. E. SMITH, 2001		DRAWN BY RES	SUBJECT ENET<=>RS232/485
SHEET 1 OF 1		DATE 5-26-01	FOR ENET SERIAL SERVER
ESPSX3CPU		SCALE NONE	RES R. E. SMITH 4311 TYLERSVILLE RD. HAMILTON, OHIO 45011
CHKD. BY RES		DWG. NO. ESPSX3CPU	REV. A