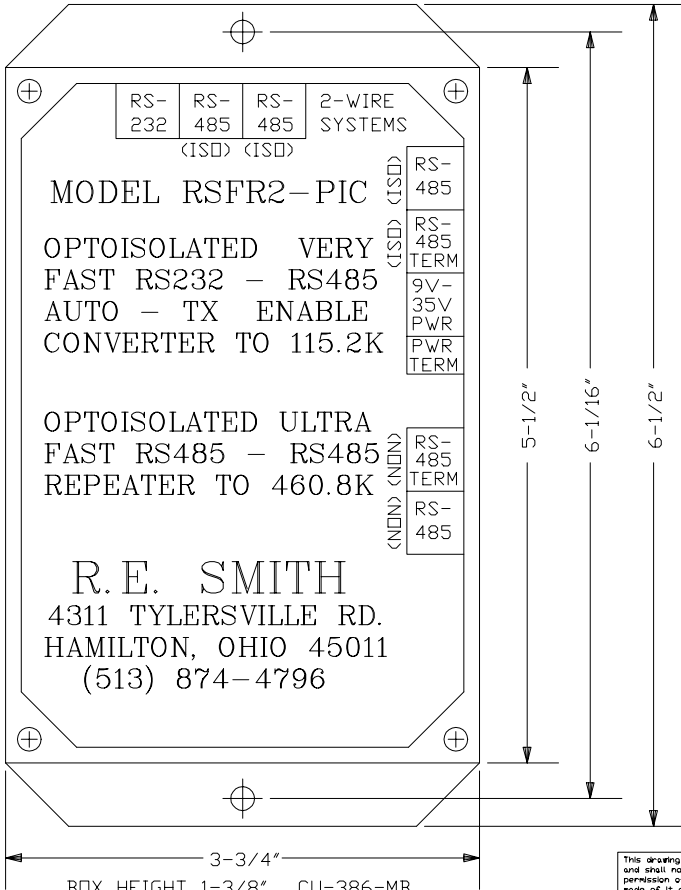


ACTUAL SIZE (1:1)



RS-232 (ISD) RS-485 (ISD) RS-485 (ISD) 2-WIRE SYSTEMS

MODEL RSFR2-PIC

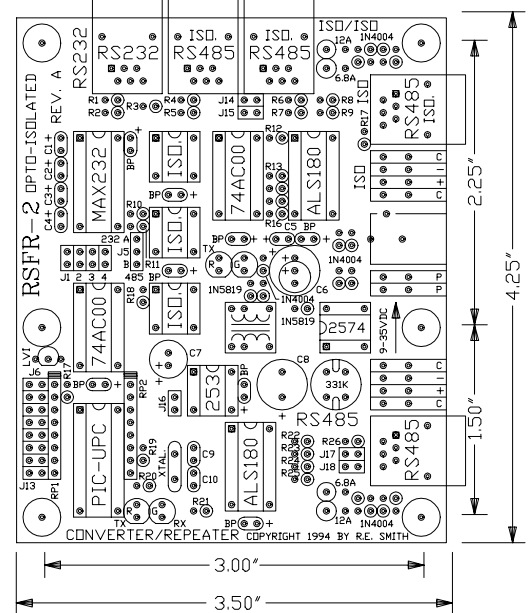
OPTOISOLATED VERY FAST RS232 - RS485 AUTO - TX ENABLE CONVERTER TO 115.2K

OPTOISOLATED ULTRA FAST RS485 - RS485 REPEATER TO 460.8K

R. E. SMITH  
4311 TYLERSVILLE RD.  
HAMILTON, OHIO 45011  
(513) 874-4796

BOX HEIGHT 1-3/8" CU-386-MB ENCLOSURE PHYSICAL DIMENSIONS

ACTUAL SIZE (1:1)



CIRCUIT BOARD PHYSICAL DIMENSIONS

ACTUAL SIZE (1:1)

R. E. SMITH  
4311 TYLERSVILLE ROAD  
HAMILTON, OHIO 45011  
(513) 874-4796

This drawing is the property of R. E. SMITH and shall not be used except with the written permission of R. E. SMITH; no copies shall be made of it and all proprietary rights in the matter contained in this drawing are the property of R. E. SMITH. COPYRIGHT - R. E. SMITH, 1994		DRAWN BY RES	SUBJECT RSFR2 PHYSICAL
		DATE 11-22-94	FOR COMM CONVERSION
		SCALE NONE	
SHEET 1 OF 1	RSFR2BOX	CHKD. BY RES	RES R. E. SMITH 4311 TYLERSVILLE RD. HAMILTON, OHIO 45011 DWG. NO. RSFR2BOX REV. A