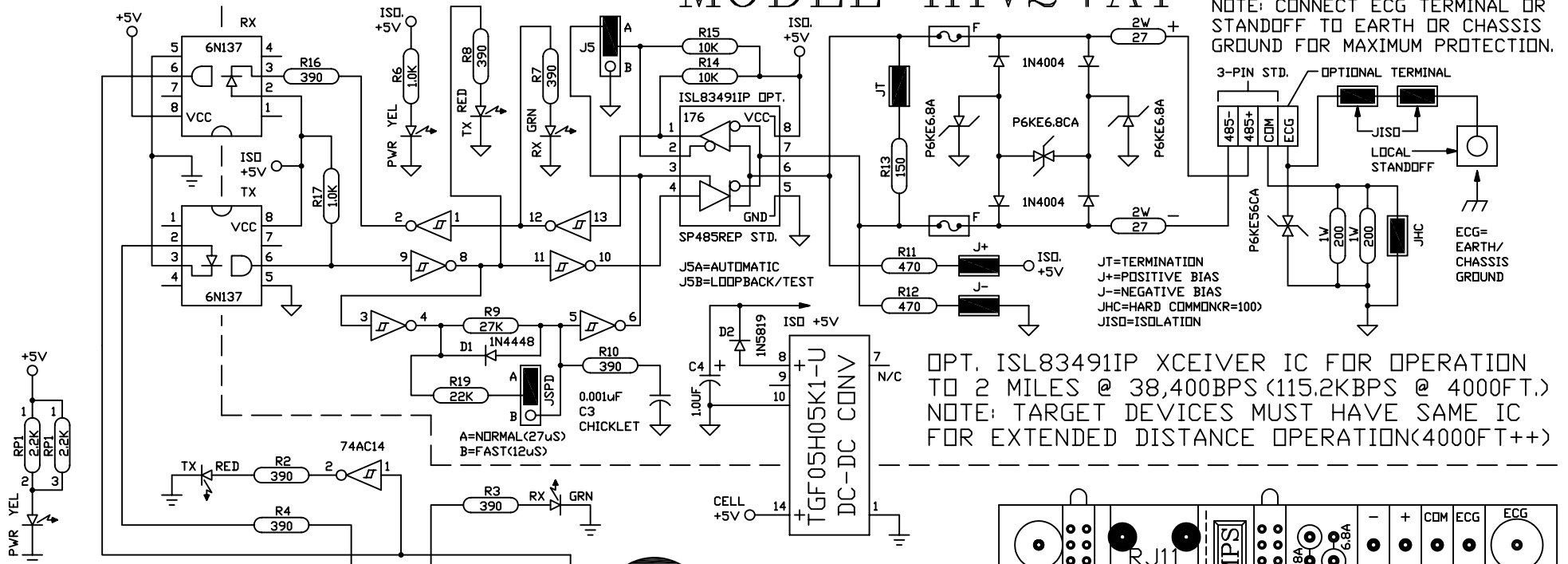


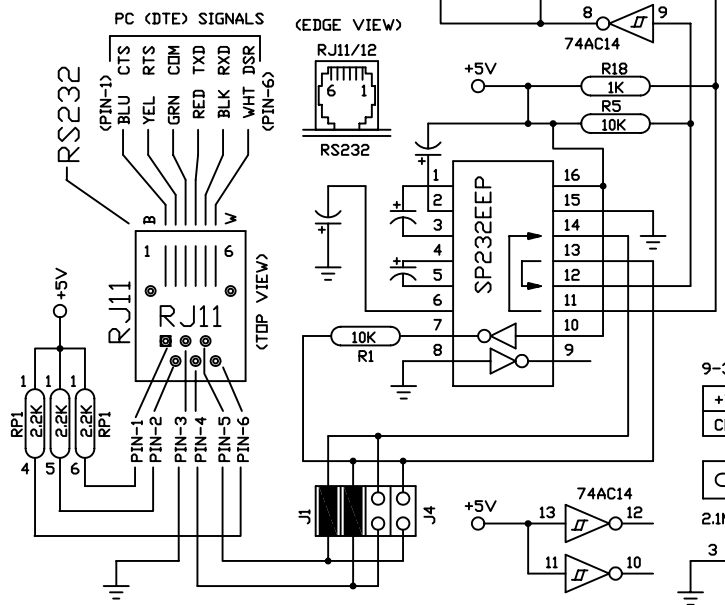
3.0KV ISOLATED RS485 MODEL IHV24AT REV. A1

NOTE: CONNECT ECG TERMINAL OR STANDOFF TO EARTH OR CHASSIS GROUND FOR MAXIMUM PROTECTION.



OPT. ISL83491IP XCEIVER IC FOR OPERATION TO 2 MILES @ 38,400BPS (115.2KBPS @ 4000FT.)
 NOTE: TARGET DEVICES MUST HAVE SAME IC FOR EXTENDED DISTANCE OPERATION(4000FT++)

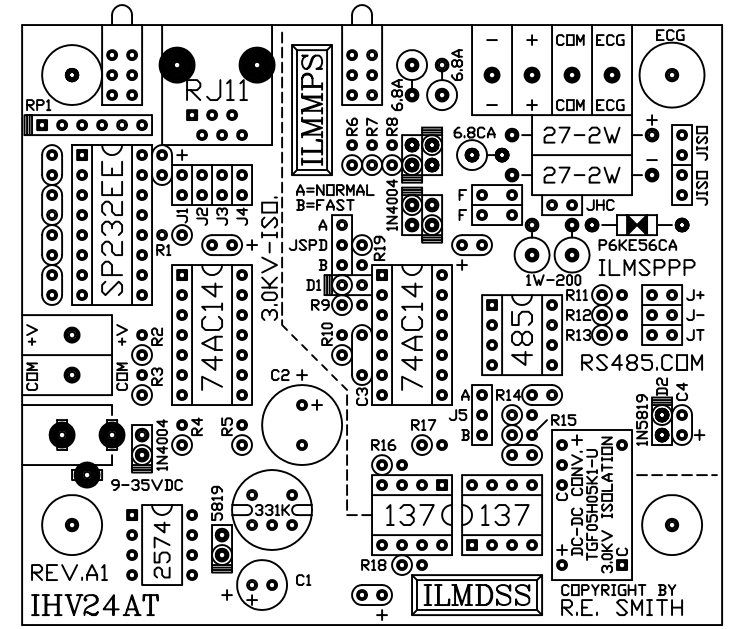
JT=TERMINATION
 J+=POSITIVE BIAS
 J-=NEGATIVE BIAS
 JHC=HARD COMMON(R=100)
 JISO=ISOLATION



NOTE: INSTALL J1-J2 FOR DB9F CABLE
 INSTALL J3-J4 FOR DB9M CABLE

RESmith
 WWW.RS485.COM
 4311 R. E. Smith Drive, West Chester, Ohio 45069
 513-874-4796

www.rs485.com



This drawing is the property of R. E. SMITH and shall not be used except with the written permission of R. E. SMITH, no copies shall be made of it and all proprietary rights in the matter contained in this drawing are the property of R. E. SMITH. COPYRIGHT - R. E. SMITH, 2002-2006		DRAWN BY RES	SUBJECT	RS232/RS485
		DATE 1-14-06	FOR	3000VDC ISOLATED
		SCALE NONE		
		CHKD. BY RES	RES	R. E. SMITH 4311 R. E. SMITH DR. WEST CHESTER, OH 45069
SHEET 1 OF 1	IRSF24		DWG. NO.	IHV24AT
				REV. A1

JUMPER INSTALLED (FACTORY SETTING)