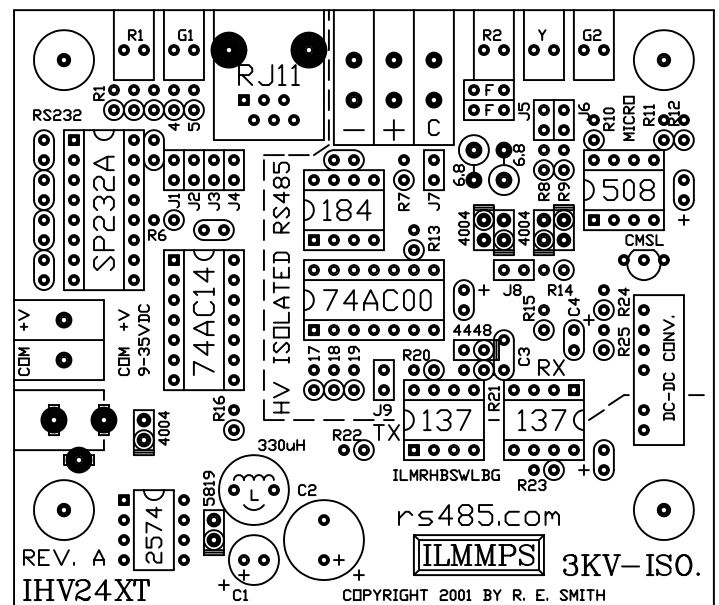
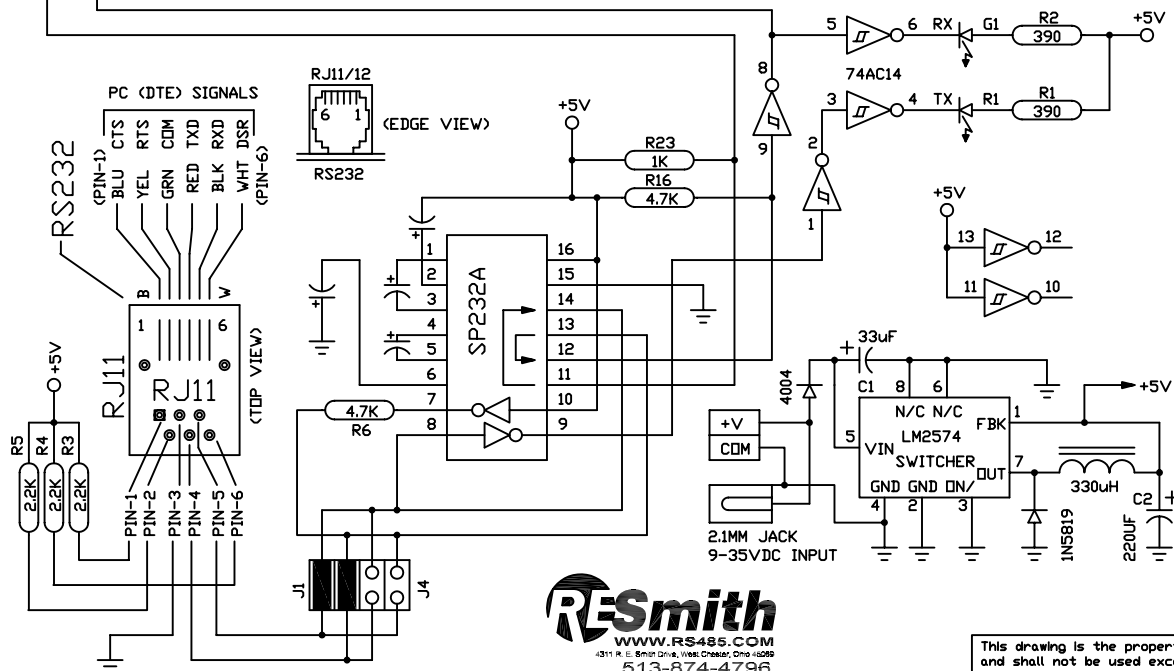
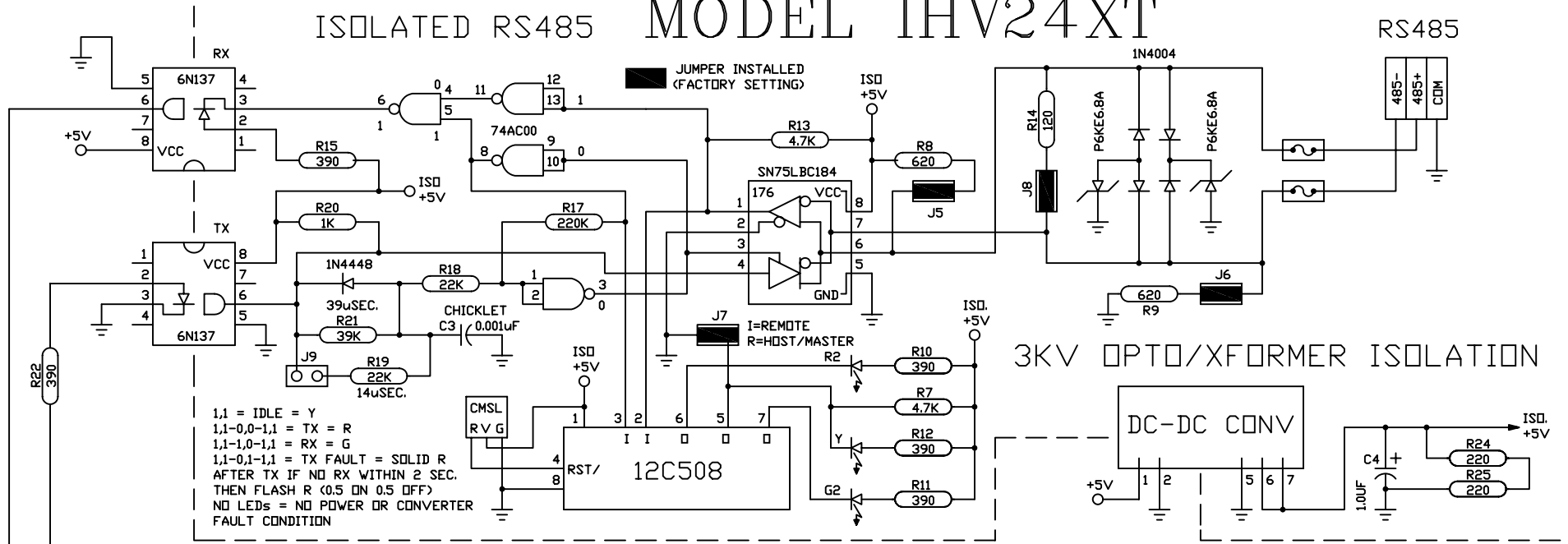


ISOLATED RS485 MODEL IHV24XT

RS485



RESmith
 WWW.RS485.COM
©2001 R. E. Smith Drive, West Chester, Ohio 45380
 513-874-4796

NEW FEATURES: DUAL TRANSIENT PROTECTION,
 SCHMITT TRIGGER TIMING, SPEED-UP JUMPER,
 JUMPER SELECTABLE MASTER/REMOTE SOFTWARE,
 AND SCREW TERMINAL POWER CONNECTION.

www.rs485.com

This drawing is the property of R. E. SMITH and shall not be used except with the written permission of R. E. SMITH, no copies shall be made of it and all proprietary rights in the matter contained in this drawing are the property of R. E. SMITH. COPYRIGHT - R. E. SMITH, 2001		DRAWN BY RES	SUBJECT "AUTO" RS232/RS485
DATE 7-21-01		FOR	3000VDC ISOLATED
SCALE NONE		RES	R. E. SMITH DVG. NO. IHV24XT
SHEET 1 OF 1		CHKD. BY RES	REV. A