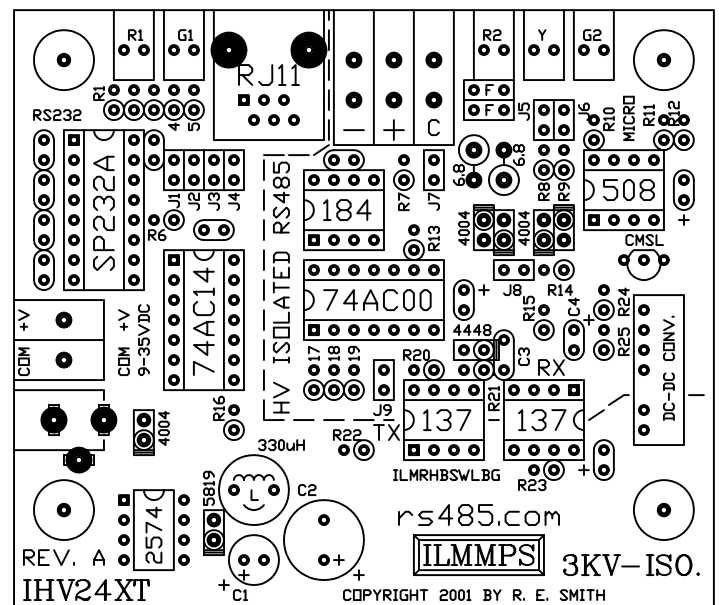
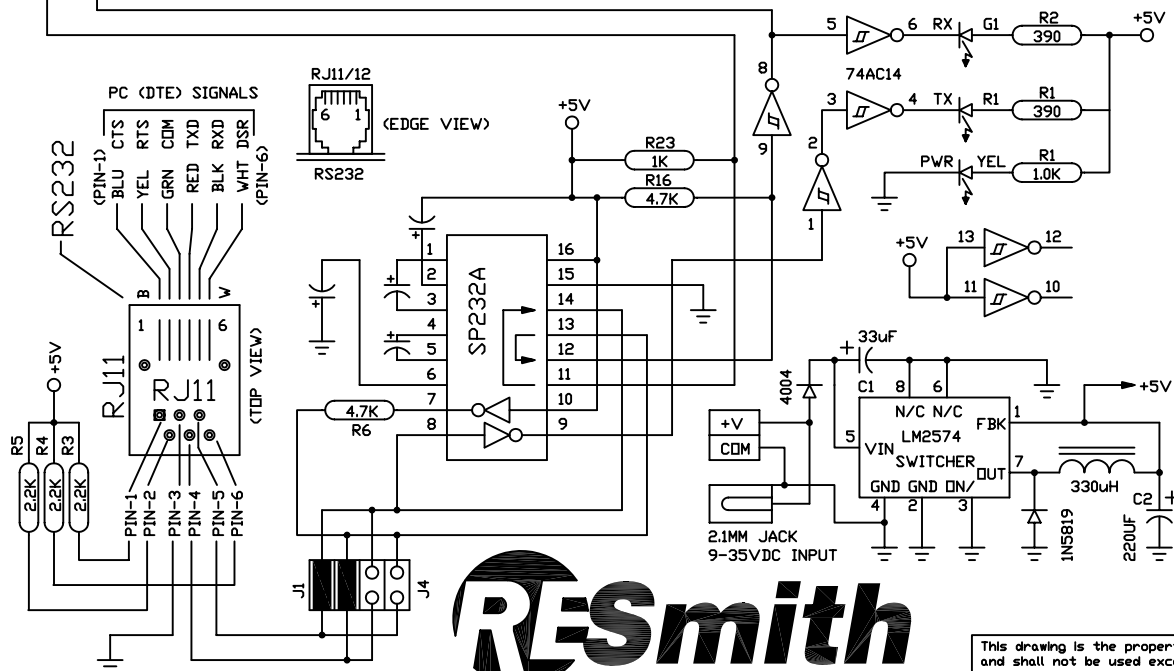
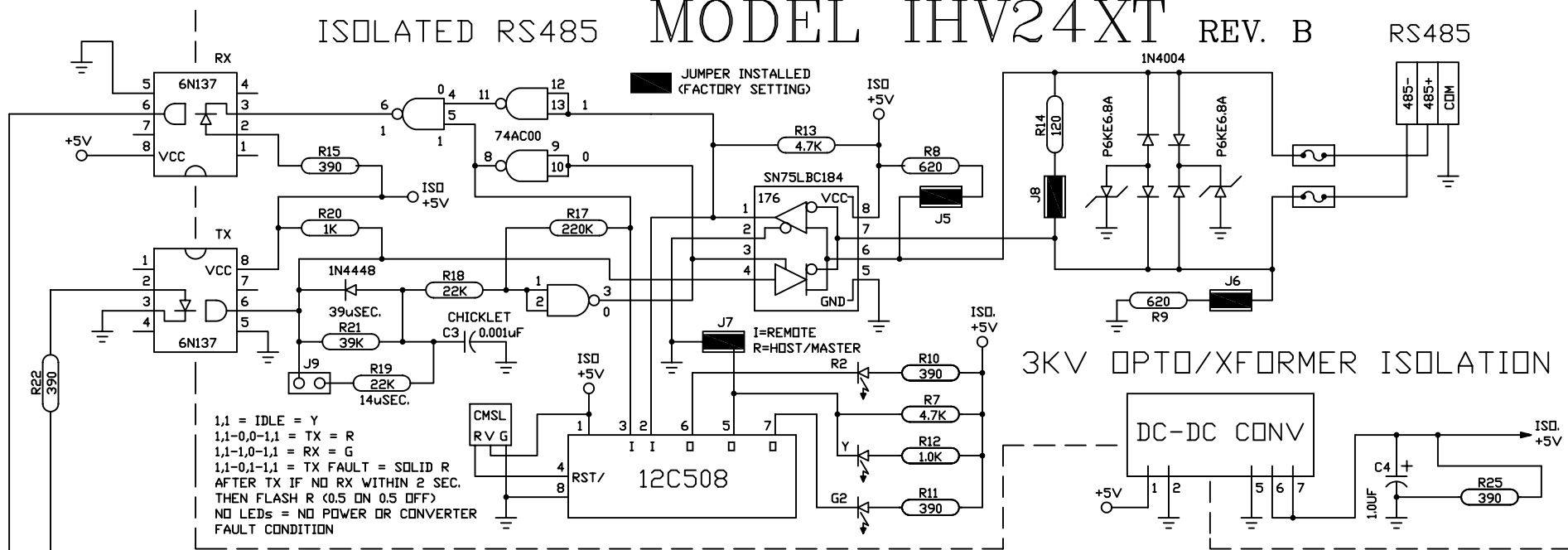


# ISOLATED RS485 MODEL IHV24XT REV. B



NEW FEATURES: DUAL TRANSIENT PROTECTION, SCHMITT TRIGGER TIMING, SPEED-UP JUMPER, JUMPER SELECTABLE MASTER/REMOTE SOFTWARE, AND SCREW TERMINAL POWER CONNECTION.



**www.rs485.com**  
 4311 R. E. Smith Drive, West Chester, Ohio 45069  
**513-874-4796**

This drawing is the property of R. E. SMITH and shall not be used except with the written permission of R. E. SMITH, no copies shall be made of it and all proprietary rights in the matter contained in this drawing are the property of R. E. SMITH. COPYRIGHT - R. E. SMITH, 2001		DRAWN BY RES	SUBJECT "AUTO" RS232/RS485	
SHEET 1 OF 1		DATE 7-21-01	FOR 3000VDC ISOLATED	
IHV24XT		SCALE NONE	RES R. E. SMITH DVG. NO. 4311 R. E. SMITH DRIVE WEST CHESTER, OH 45069	
CHKD. BY RES		IHV24XT		REV. B