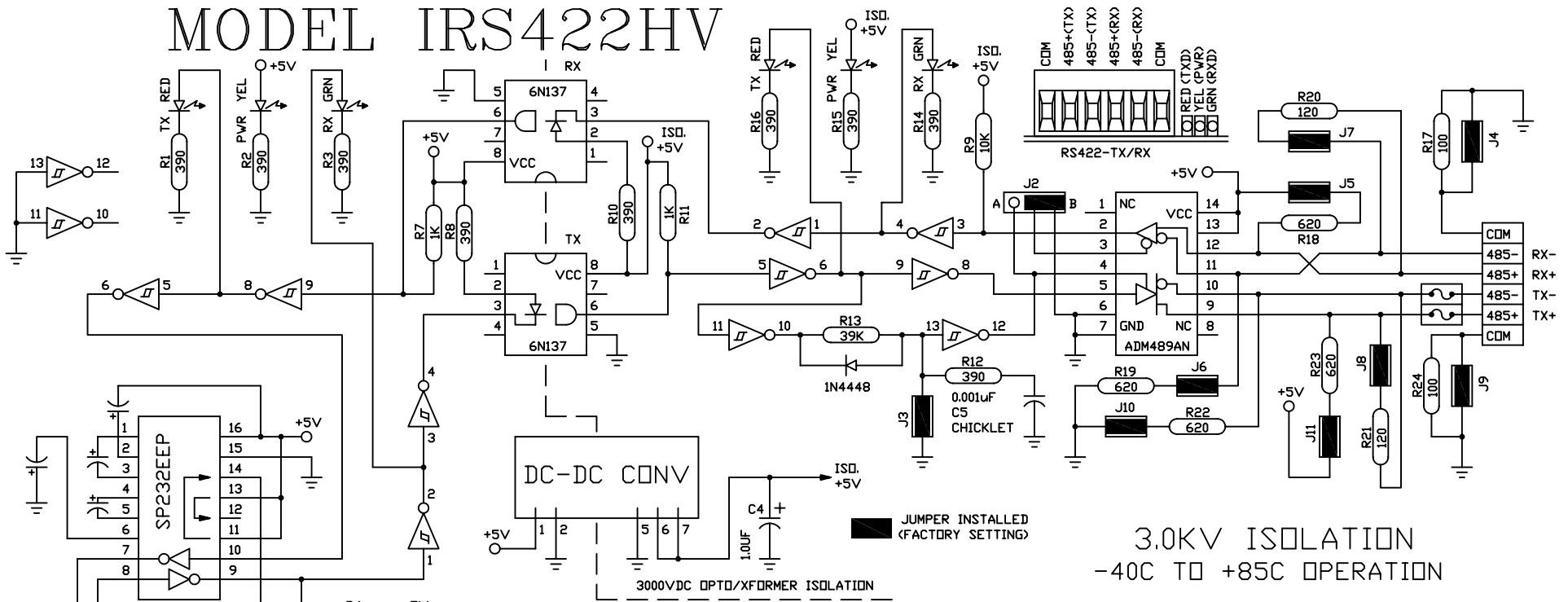
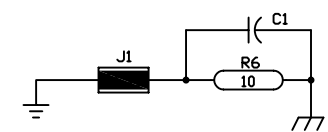
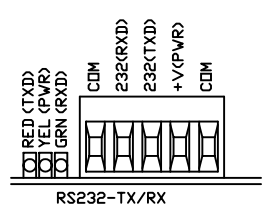
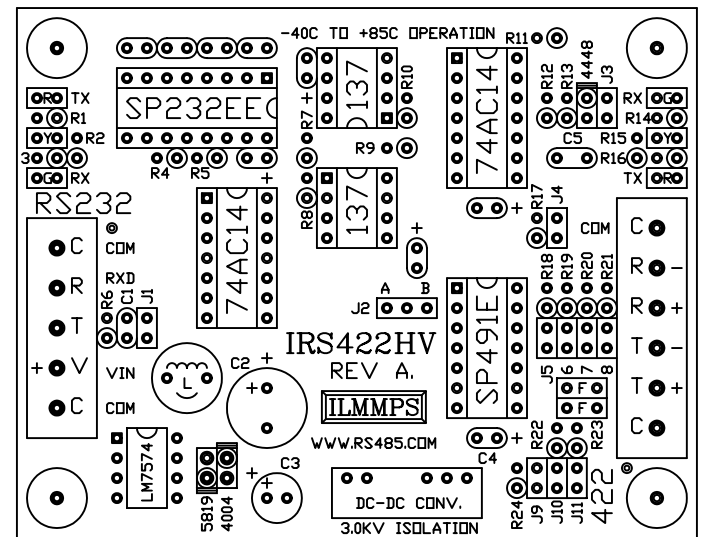


MODEL IRS422HV



JUMPER SETTINGS & MODES										
ENABLE	AUTO-TX	RX+BIAS	RX-BIAS	RXTERM	TXTERM	TX-BIAS	TX+BIAS	MODE		
J2	J3	J5	J6	J7	J8	J10	J11	RS422(4-WIRE) *DEFAULT		
B	I	I	I	I	I	I	I	RS422(4-WIRE)MULTIDROP		
B	R	I	I	I	I	I	I	RS485(2-WIRE)LOOP-BACK		
B	R	I	I	R	I	R	R	RS485(2-WIRE)MULTIDROP		
A	R	I	I	R	I	R	R	RS485(2-WIRE)MULTIDROP		

FOR RS485(2-WIRE) CONNECT RX+ TO TX+ AND RX- TO TX-
 A=INSTALL A, B=INSTALL B, I=INSTALL, R=REMOVE
 *=FACTORY DEFAULT SETTING (4-WIRE POINT-TO-POINT)



RESmith
 WWW.RS485.COM
 4311 R. E. Smith Drive, West Chester, Ohio 45069
 513-874-4796

This drawing is the property of R. E. SMITH and shall not be used except with the written permission of R. E. SMITH, no copies shall be made of it and all proprietary rights in the matter contained in this drawing are the property of R. E. SMITH. COPYRIGHT - R. E. SMITH, 2002		DRAWN BY RES	SUBJECT "AUTO" RS232/RS485	
SHEET 1 OF 1		DATE 3-4-02	FOR ISOLATED 2/4-WIRE	
IRS422HV		SCALE NONE	RES R. E. SMITH DVG. NO. 4311 TYLERVILLE RD. HAMILTON, OHIO 45011	
CHKD. BY RES		IRS422HV		A