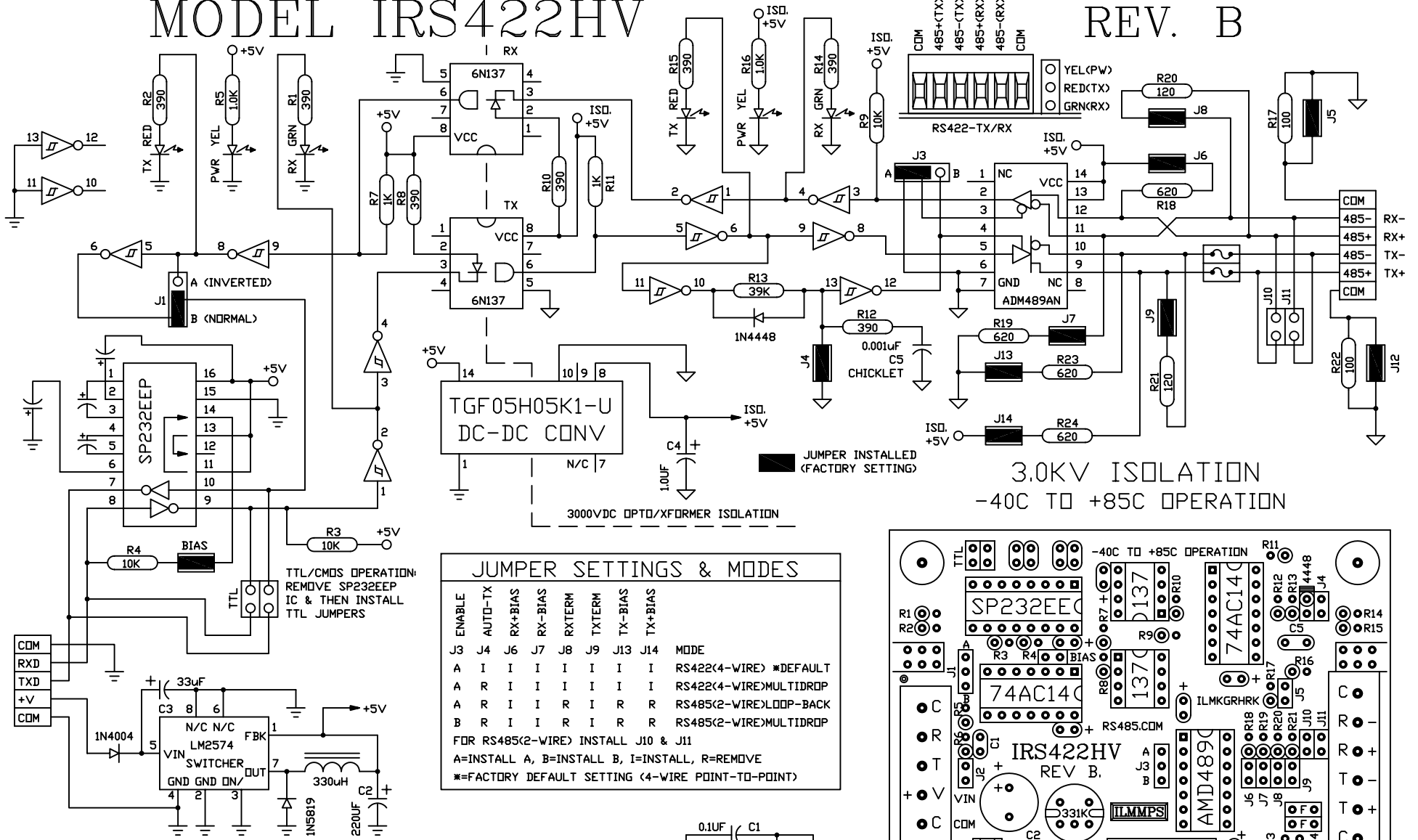


MODEL IRS422HV

REV. B

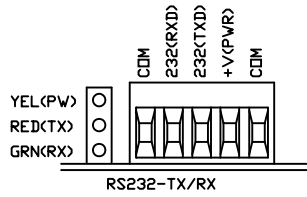
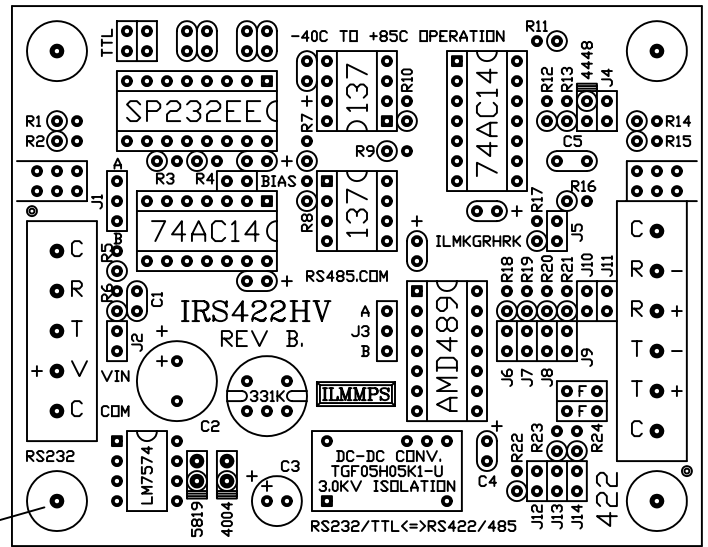


3.0KV ISOLATION
-40C TO +85C OPERATION

JUMPER SETTINGS & MODES

| ENABLE | AUTO-TX | BIAS | RX+BIAS | RX-BIAS | RXTERM | TXTERM | TX-BIAS | TX+BIAS | MODE |
|--------|---------|------|---------|---------|--------|--------|---------|---------|------------------------|
| J3 | I | I | I | I | I | I | I | I | RS422(4-WIRE) *DEFAULT |
| A | R | I | I | I | I | I | I | I | RS422(4-WIRE)MULTIDROP |
| A | R | I | I | R | I | R | R | R | RS485(2-WIRE)LOOP-BACK |
| B | R | I | I | R | I | R | R | R | RS485(2-WIRE)MULTIDROP |

FOR RS485(2-WIRE) INSTALL J10 & J11
A=INSTALL A, B=INSTALL B, I=INSTALL, R=REMOVE
*=FACTORY DEFAULT SETTING (4-WIRE POINT-TO-POINT)



RESmith
WWW.RS485.COM
4311 R. E. Smith Drive, West Chester, Ohio 45069
513-874-4796

| | | | | | |
|--------------|----------|--------------|--|---|----------------------------|
| SHEET 1 OF 1 | IRS422HV | CHKD. BY RES | This drawing is the property of R. E. SMITH and shall not be used except with the written permission of R. E. SMITH, no copies shall be made of it and all proprietary rights in the matter contained in this drawing are the property of R. E. SMITH. COPYRIGHT - R. E. SMITH, 2000-2004 | DRAWN BY RES | SUBJECT "AUTO" RS232/RS422 |
| | | | DATE 12-5-04 | FOR ISOLATED 2/4-WIRE | |
| | | | SCALE NONE | | |
| | | | | RES R. E. SMITH 4311 R. E. SMITH DRIVE HAMILTON, OHIO 45011 | DWG. NO. IRS422HV |
| | | | | | REV. B |