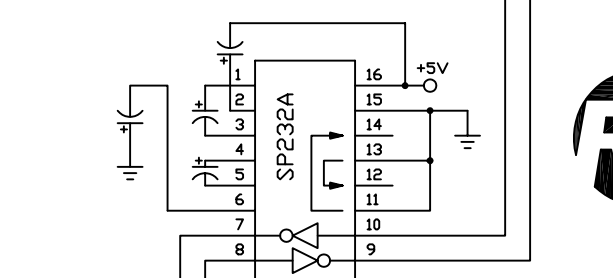
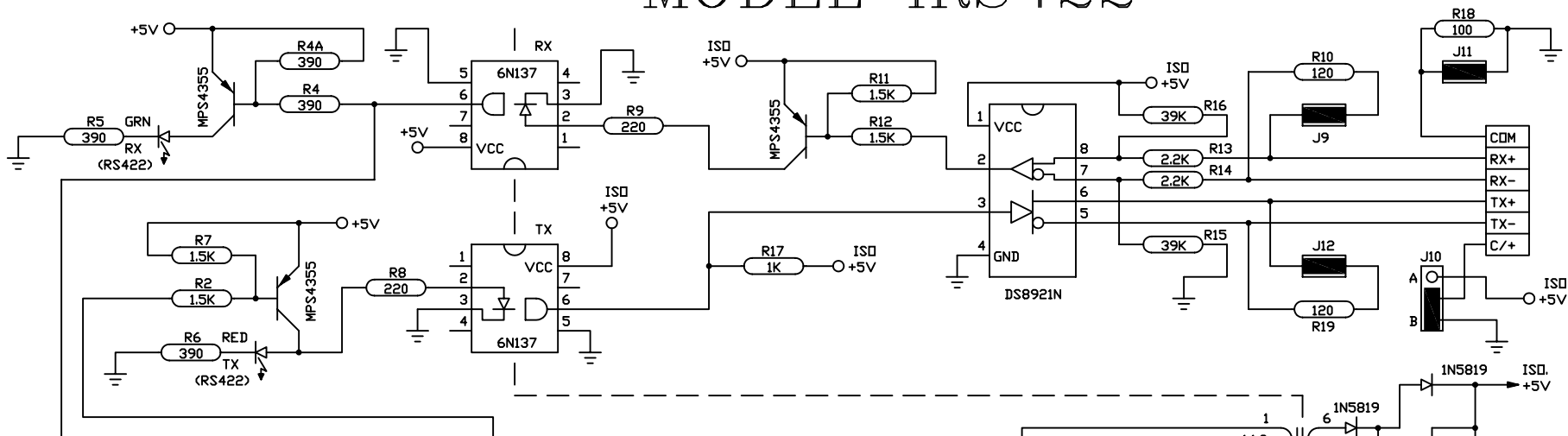
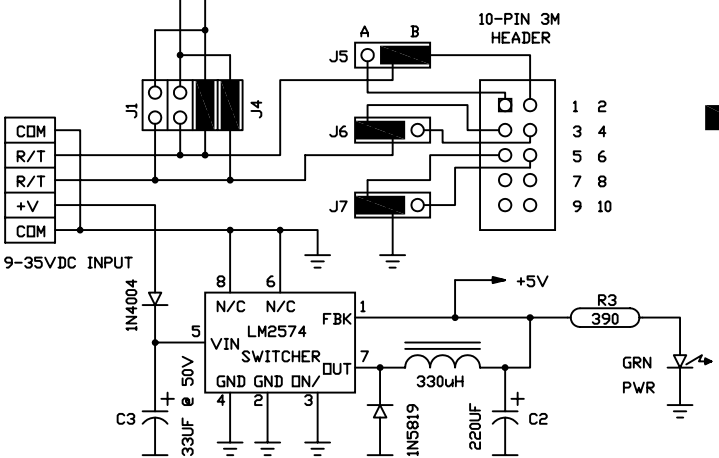
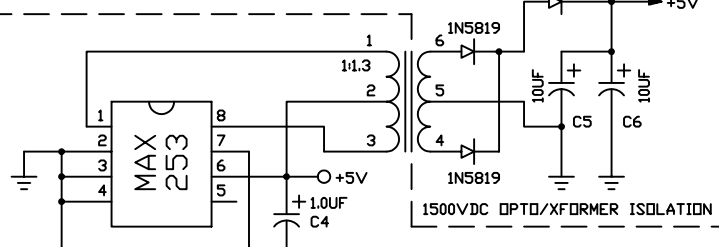


# MODEL IRS422

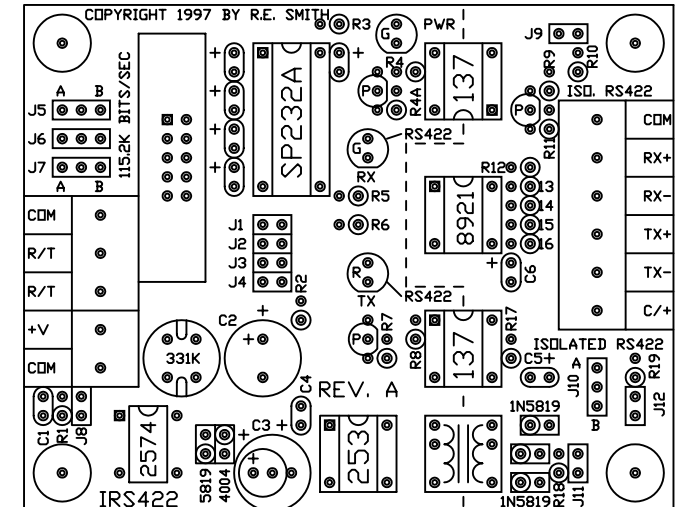
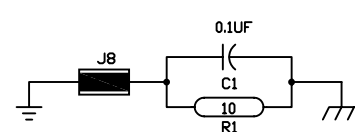
# ISOLATED RS422



**RESmith**  
 WWW.RS485.COM  
 4311 R. E. Smith Drive, West Chester, Ohio 45069  
 513-874-4796



■ JUMPER INSTALLED  
 (FACTORY SETTING)



ACTUAL SIZE (1:1)

This drawing is the property of R. E. SMITH and shall not be used except with the written permission of R. E. SMITH, no copies shall be made of it and all proprietary rights in the matter contained in this drawing are the property of R. E. SMITH. COPYRIGHT - R. E. SMITH, 1997		DRAWN BY RES	SUBJECT
SHEET 1 OF 1		DATE 1-25-97	RS232/RS422
IRS422		SCALE NONE	FOR 1500VDC ISOLATED
CHKD. BY RES		RES R. E. SMITH 4311 TYLERVILLE RD. HAMILTON, OHIO 45011	DWG. NO. IRS422
			REV. A