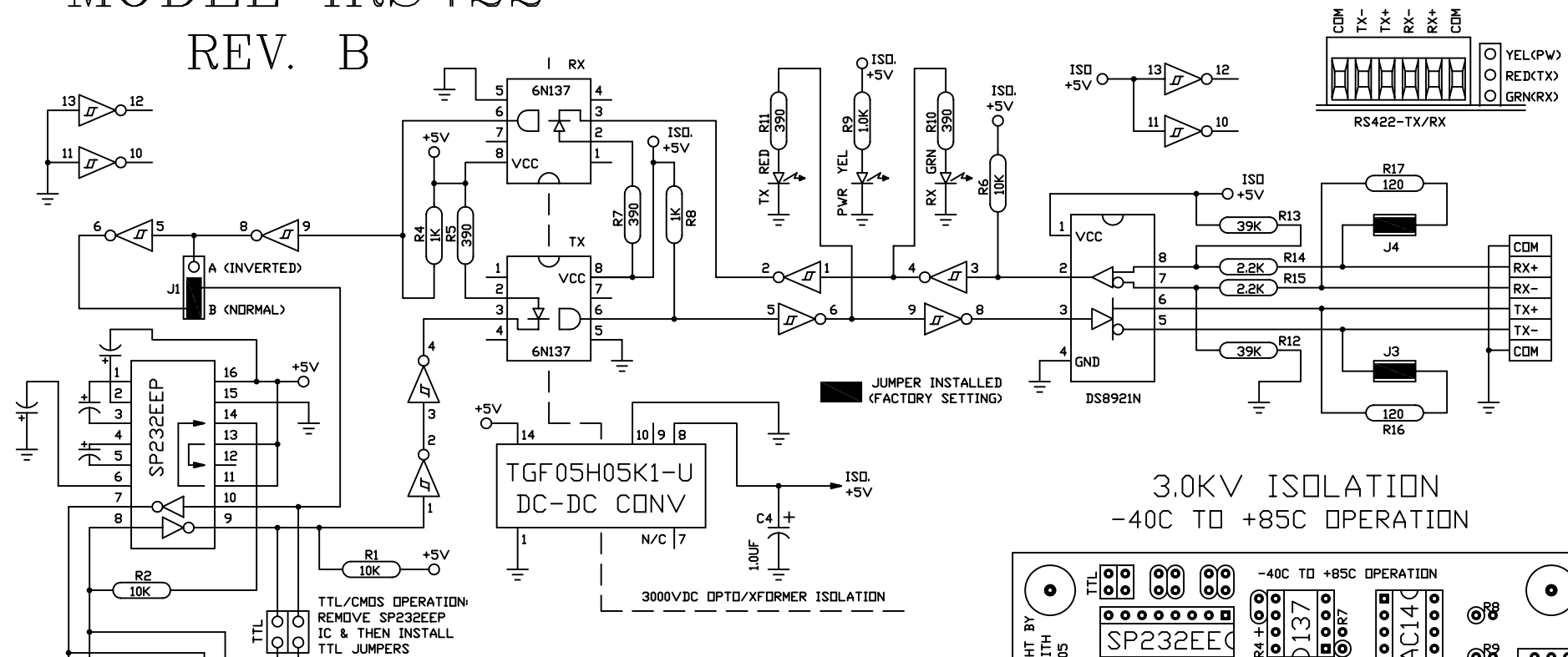


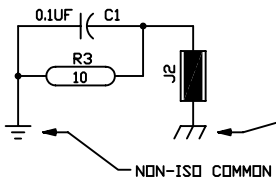
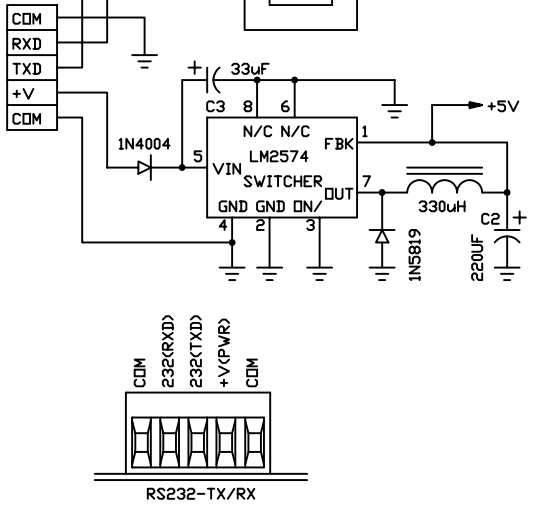
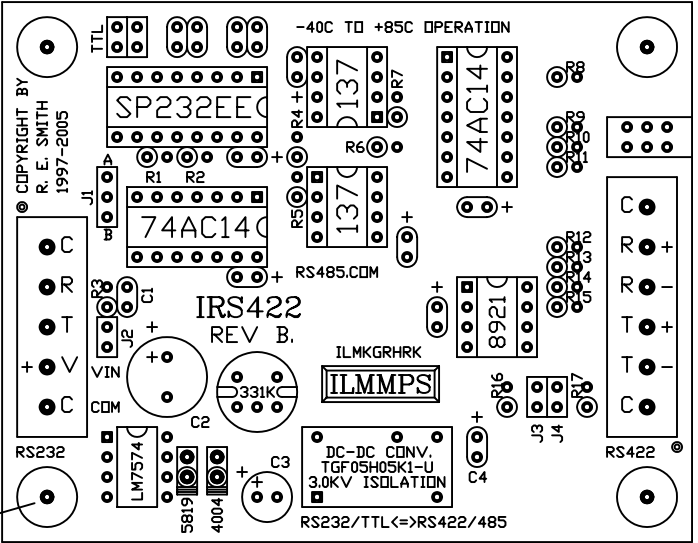
MODEL IRS422

REV. B



3.0KV ISOLATION
-40C TO +85C OPERATION

RESmith
www.rs485.com
 4311 R. E. Smith Drive, West Chester, Ohio 45069
 513-874-4796



This drawing is the property of R. E. SMITH and shall not be used except with the written permission of R. E. SMITH, no copies shall be made of it and all proprietary rights in the matter contained in this drawing are the property of R. E. SMITH. COPYRIGHT - R. E. SMITH, 1997-2005		DRAWN BY RES	SUBJECT RS232<=>RS422
DATE 5-13-05		FOR ISOLATED 4-WIRE	
SCALE NONE		RES R. E. SMITH	DWG. NO. IRS422
SHEET 1 OF 1	IRS422	CHKD. BY RES	REV. B