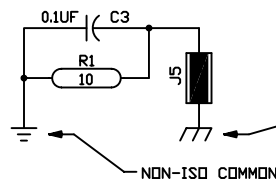


**RESmith**  
 WWW.RS485.COM

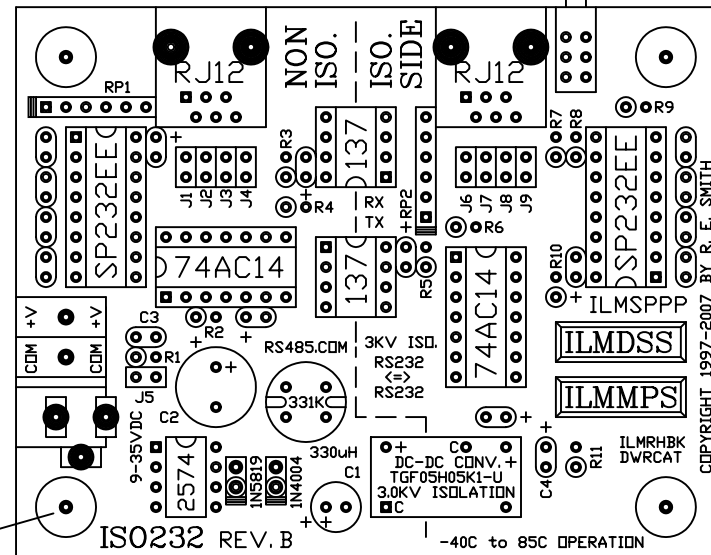
4311 R. E. Smith Drive, West Chester, Ohio 45069  
 513-874-4796

www.rs485.com

OPERATING TEMPERATURE  
 RANGE = -40C TO 85C



BOARD SIZE 3.50" X 2.75"  
 MOUNTING HOLES 3.00" X 2.25"



MODEL ISO232  
 3KV ISOLATED  
 RS232 <=> RS232

REV. B

This drawing is the property of R. E. SMITH and shall not be used except with the written permission of R. E. SMITH, no copies shall be made of it and all proprietary rights in the matter contained in this drawing are the property of R. E. SMITH. COPYRIGHT - R. E. SMITH, 1997-2007		DRAWN BY RES	SUBJECT RS232/RS232	
DATE 1-14-07		FOR 3000VDC ISOLATED		
SCALE NONE		RES R. E. SMITH DVG. NDL 4311 R. E. SMITH DR. WEST CHESTER, OH 45069		
SHEET 1 OF 1	ISO232	CHKD. BY RES	ISO232	REV. B