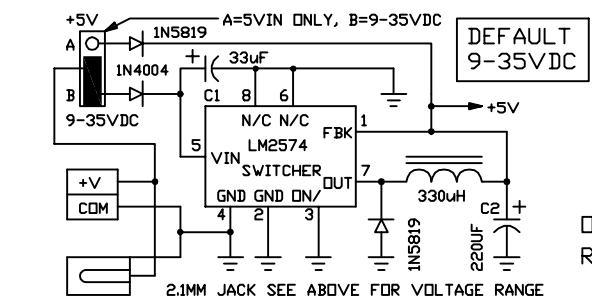


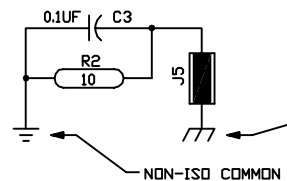
J1, J2 FOR DB9F CABLE
J3, J4 FOR DB9M CABLE

J6, J7 FOR DB9F CABLE
J8, J9 FOR DB9M CABLE

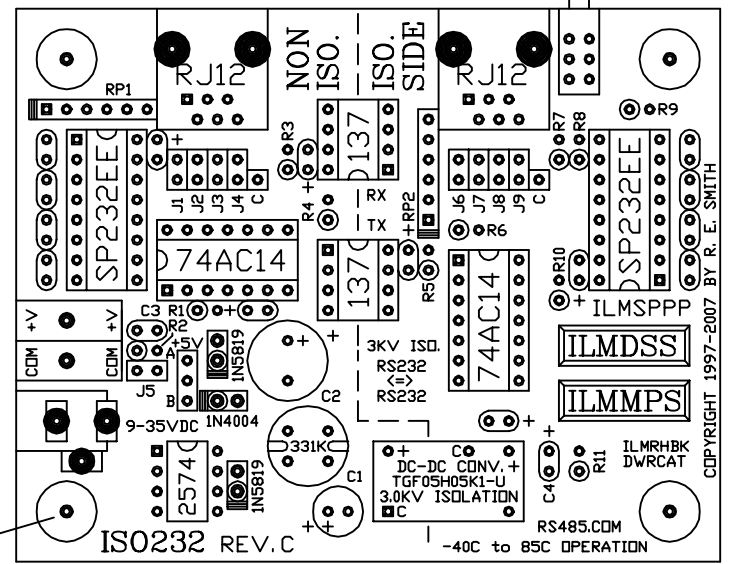


RESmith
 WWW.RS485.COM
 10330 CHESTER ROAD, CINCINNATI, OHIO 45215
 513-874-4796
 www.rs485.com

OPERATING TEMPERATURE
 RANGE = -40C TO 85C



BOARD SIZE 3.50" X 2.75"
 MOUNTING HOLES 3.00" X 2.25"



MODEL ISO232

3KV ISOLATED

RS232 <=> RS232

REV. C

This drawing is the property of R. E. SMITH and shall not be used except with the written permission of R. E. SMITH, no copies shall be made of it and all proprietary rights in the matter contained in this drawing are the property of R. E. SMITH. COPYRIGHT - R. E. SMITH, 1997-2011		DRAWN BY RES	SUBJECT RS232/RS232
SHEET 1 OF 1		DATE 1-28-07	FOR 3000VDC ISOLATED
ISO232		SCALE NONE	RES R. E. SMITH 4311 R. E. SMITH DR. WEST CHESTER, OH 45669
ISO232		CHKD. BY RES	DWG. NO. ISO232
			REV. C