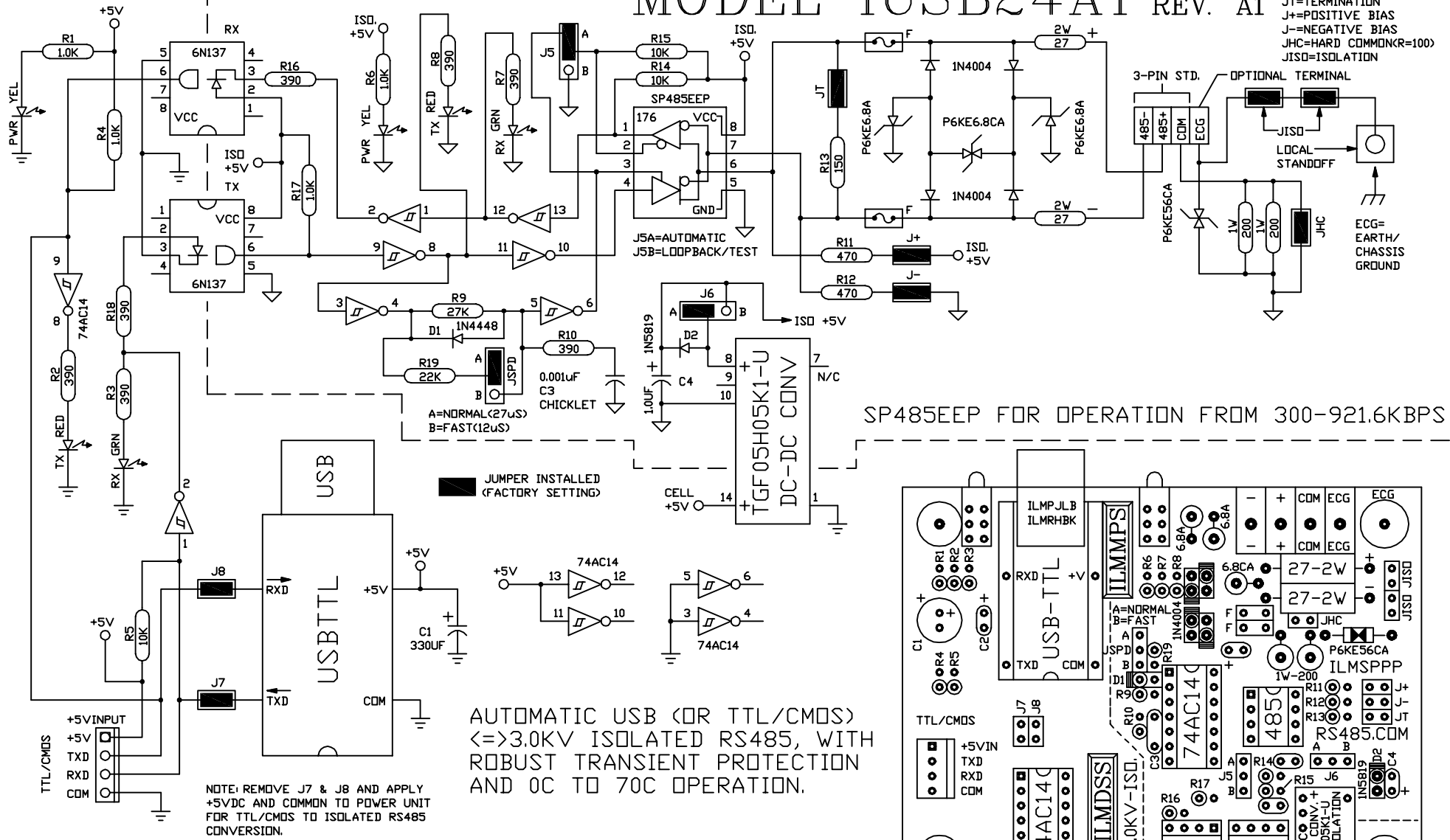


# 3.0KV ISOLATED RS485 MODEL IUSB24AT REV. A1

JT=TERMINATION  
 J+=POSITIVE BIAS  
 J-=NEGATIVE BIAS  
 JHC=HARD COMMON(R=100)  
 JISO=ISOLATION

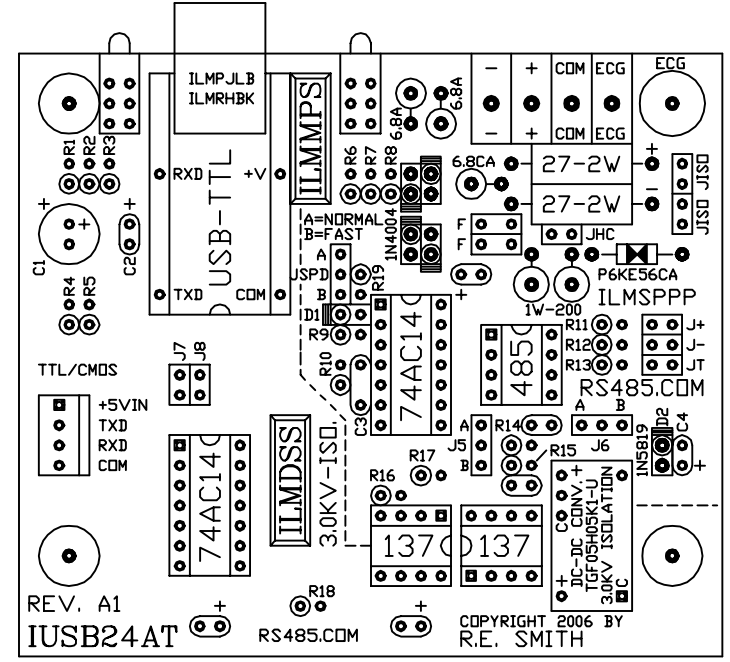


SP485EEP FOR OPERATION FROM 300-921.6Kbps

AUTOMATIC USB (OR TTL/CMOS)  $\leftrightarrow$  3.0KV ISOLATED RS485, WITH ROBUST TRANSIENT PROTECTION AND OC TO 70C OPERATION.

NOTE: REMOVE J7 & J8 AND APPLY +5VDC AND COMMON TO POWER UNIT FOR TTL/CMOS TO ISOLATED RS485 CONVERSION.

LINK: [rs485.com/usb24at.html](http://rs485.com/usb24at.html)  
 M2 = 3.50" X 3.00"



This drawing is the property of R. E. SMITH and shall not be used except with the written permission of R. E. SMITH, no copies shall be made of it and all proprietary rights in the matter contained in this drawing are the property of R. E. SMITH. COPYRIGHT - R. E. SMITH, 2002-2013		DRAWN BY RES	SUBJECT USB $\leftrightarrow$ ISO RS485	
DATE 3-27-06 REV 9-20-13		FOR 3000VDC ISOLATED		
SCALE NONE		REV. A1		
SHEET 1 OF 1	IUSB24AT	CHKD. BY RES	RES R. E. SMITH 10330 CHESTER ROAD CINCINNATI, OH 45215	
		DVG. NO. IUSB24AT		
		REV. A1		