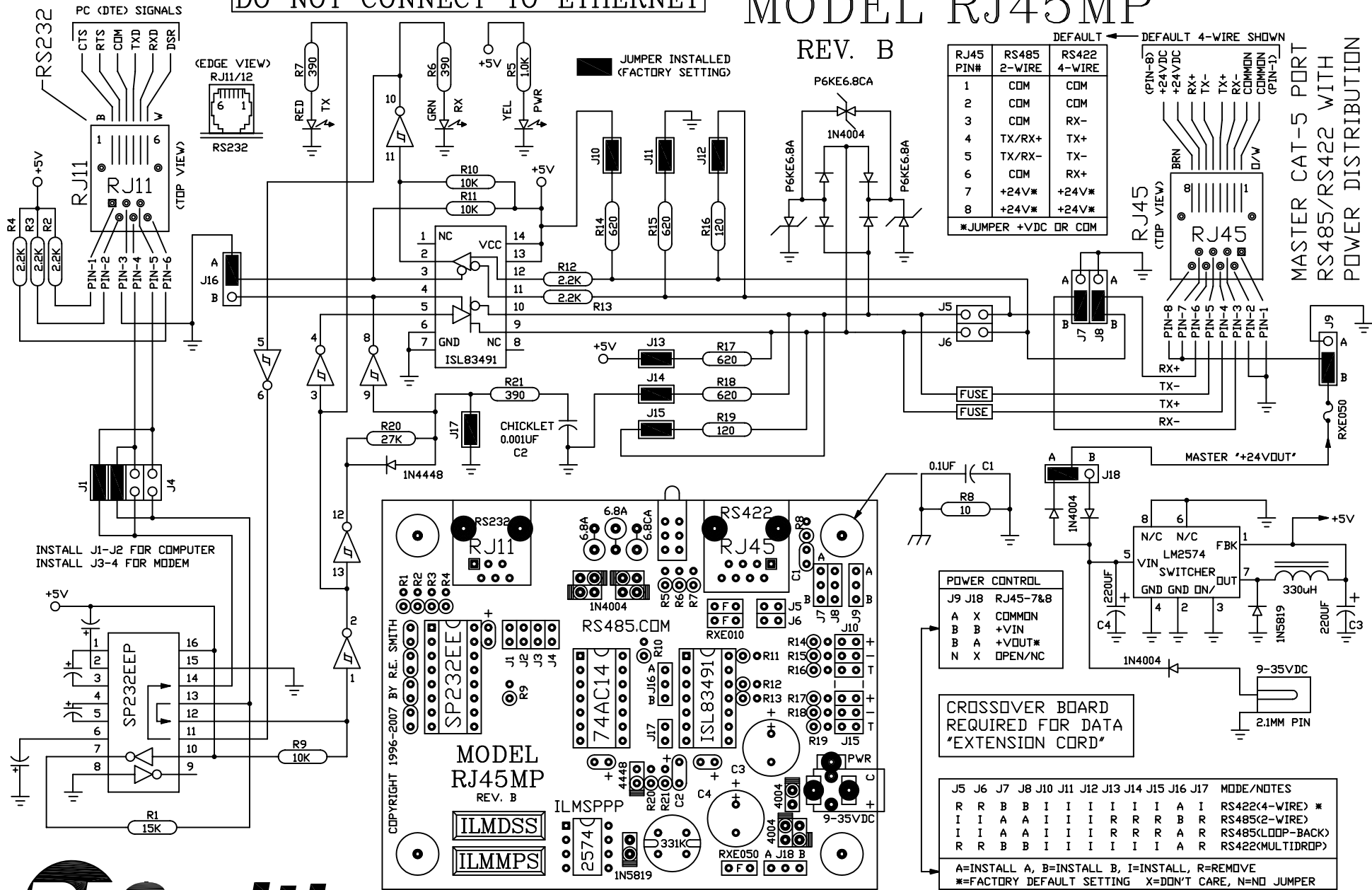


DO NOT CONNECT TO ETHERNET

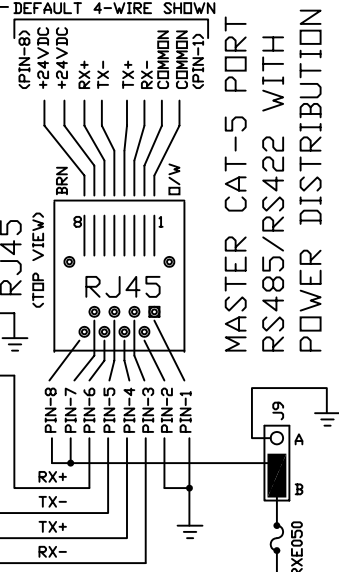
MODEL RJ45MP

REV. B



RJ45 PIN#	RS485 2-WIRE	RS422 4-WIRE
1	COM	COM
2	COM	COM
3	COM	RX-
4	TX/RX+	TX+
5	TX/RX-	TX-
6	COM	RX+
7	+24V*	+24V*
8	+24V*	+24V*

*JUMPER +VDC OR COM



POWER CONTROL

J9 J18	RJ45-7&8
A X	COMMON
B B	+VIN
B A	+VOUT*
N X	OPEN/NC

CROSSOVER BOARD REQUIRED FOR DATA "EXTENSION CORD"

J5	J6	J7	J8	J10	J11	J12	J13	J14	J15	J16	J17	MODE/NOTES
R	R	B	B	I	I	I	I	I	A	I	A	RS422(4-WIRE) *
I	I	A	A	I	I	I	I	R	R	R	B	RS485(2-WIRE)
I	I	A	A	I	I	I	I	R	R	R	A	RS485(LDOP-BACK)
R	R	B	B	I	I	I	I	I	I	A	R	RS422(MULTIDROP)

A=INSTALL A, B=INSTALL B, I=INSTALL, R=REMOVE
 *=FACTORY DEFAULT SETTING X=DON'T CARE, N=NO JUMPER



RS232C=>RS485/RS422 WITH POWER AND DATA OVER CAT-5 CABLE @ UP TO 115.2KBPS -40C TO 85C OPERATION 9-35VDC INPUT POWER

This drawing is the property of R. E. SMITH and shall not be used except with the written permission of R. E. SMITH, no copies shall be made of it and all proprietary rights in the matter contained in this drawing are the property of R. E. SMITH. COPYRIGHT - R. E. SMITH, 2000-2007

DRAWN BY RES	SUBJECT RS232C=>RS485/422
DATE 2-19-07	FOR MASTER RJ45 PORT
SCALE NONE	RES R. E. SMITH 4311 R. E. SMITH DRIVE HAMILTON, OHIO 45011
CHKD. BY RES	DWG. NO. RJ45MP
SHEET 1 OF 1	REV. B