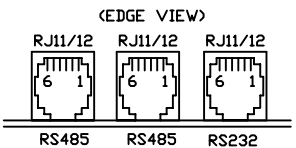
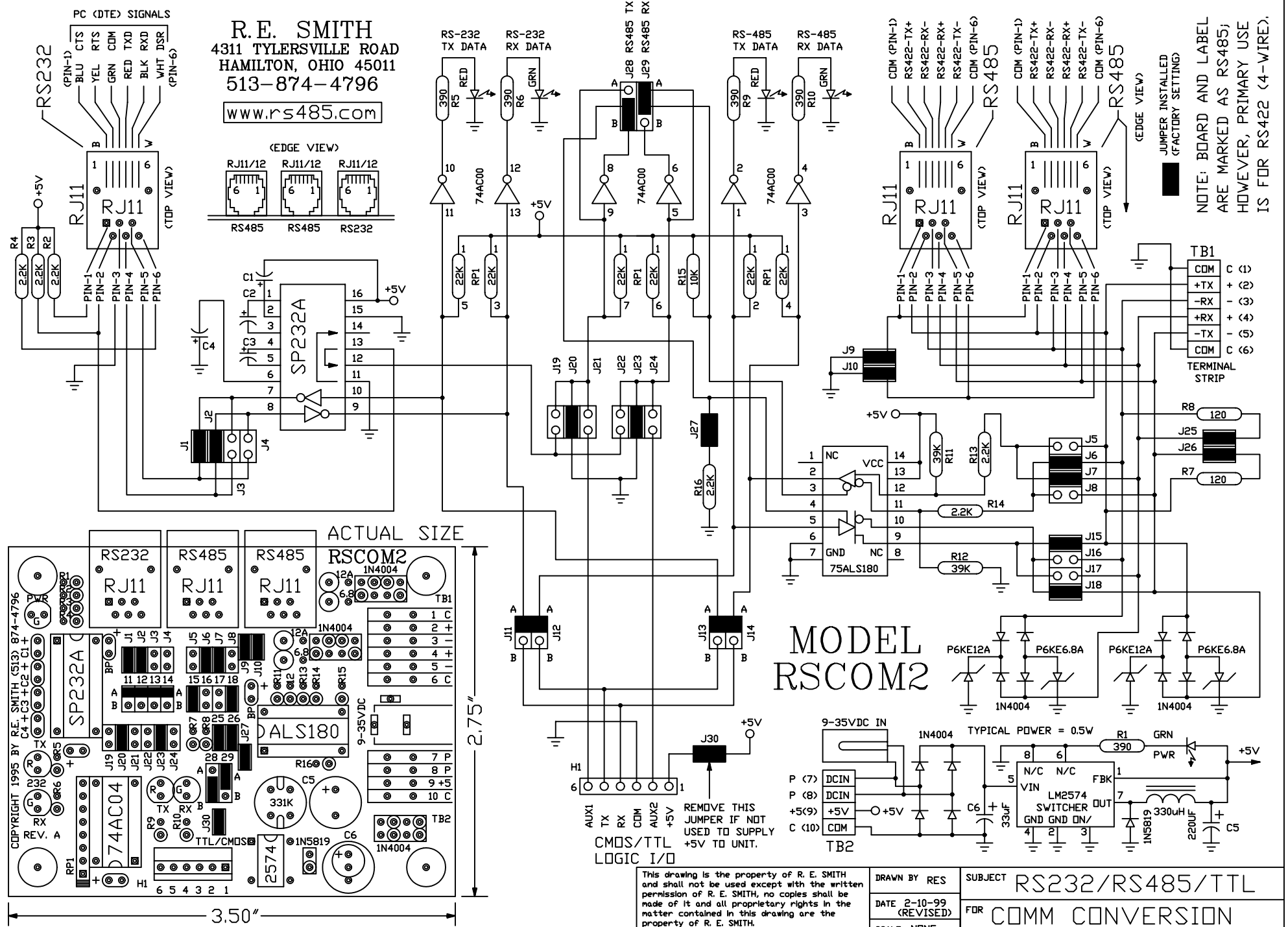


R. E. SMITH
 4311 TYLERSVILLE ROAD
 HAMILTON, OHIO 45011
 513-874-4796

www.rs485.com

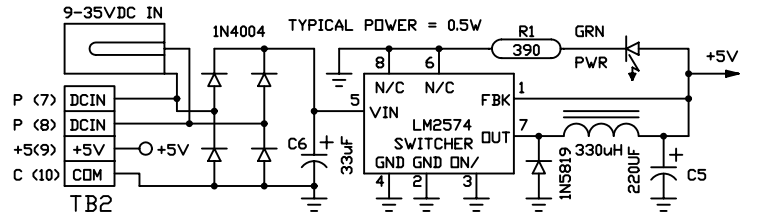


JUMPER INSTALLED
 (FACTORY SETTING)

NOTE: BOARD AND LABEL
 ARE MARKED AS RS485;
 HOWEVER, PRIMARY USE
 IS FOR RS422 (4-WIRE).

MODEL RSCOM2

AUX1 TX RX COM AUX2 +5V REMOVE THIS JUMPER IF NOT USED TO SUPPLY +5V TO UNIT.
 CMOS/TTL LOGIC I/O



MOUNTING HOLES 3.00" X 2.25"

This drawing is the property of R. E. SMITH and shall not be used except with the written permission of R. E. SMITH, no copies shall be made of it and all proprietary rights in the matter contained in this drawing are the property of R. E. SMITH.		DRAWN BY RES		SUBJECT RS232/RS485/TTL	
COPYRIGHT - R. E. SMITH, 1995		DATE 2-10-99 (REVISED)		FOR COMM CONVERSION	
SHEET 1 OF 1		SCALE NONE		RES R. E. SMITH 4311 TYLERSVILLE RD. HAMILTON, OHIO 45011	
RSCOM2		CHKD. BY RES		DWG. NO. RSCOM2	
				REV. A	