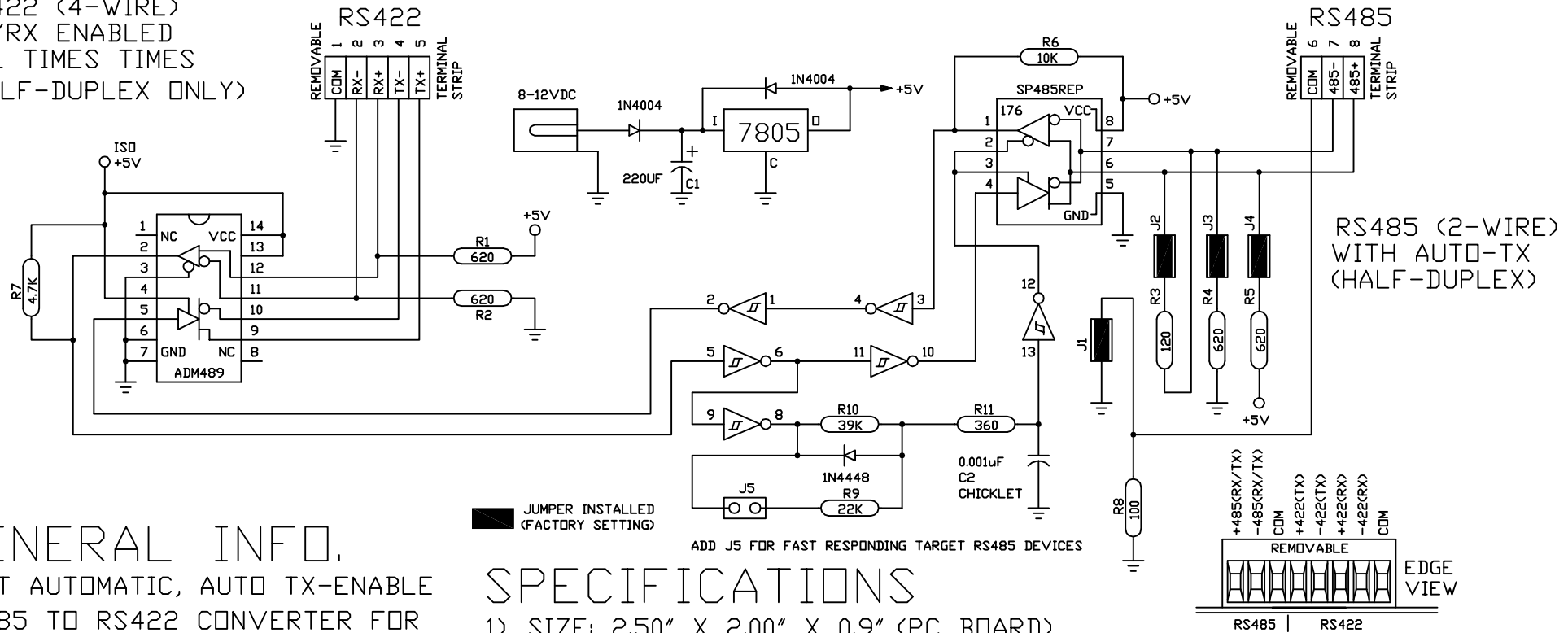


# MODEL RSFC44T REV. B

RS422 (4-WIRE)  
TX/RX ENABLED  
ALL TIMES TIMES  
(HALF-DUPLEX ONLY)



**GENERAL INFO.**  
FAST AUTOMATIC, AUTO TX-ENABLE  
RS485 TO RS422 CONVERTER FOR  
2-WIRE TO 4-WIRE APPLICATIONS  
AT DATA RATES UP TO 115.2K+,  
ONBOARD BIAS AND TERMINATION  
WITH ONE-HALF UNIT LOAD TI  
SP485REP RS485 DRIVER IC  
WITH STATIC PROTECTION.  
FOR RS485 (2-WIRE) "BACKBONE"

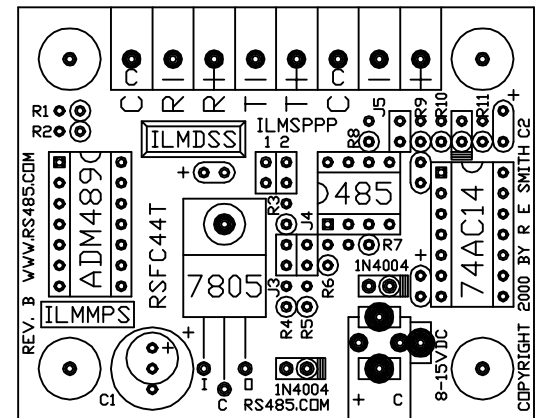
## SPECIFICATIONS

- 1) SIZE: 2.50" X 2.00" X 0.9" (PC BOARD)  
WITH CONNECTORS: 2.50" X 2.25"
- 2) MOUNTING HOLES: 4-PLACES  
2.00" X 1.50" (#6 HARDWARE)
- 3) SP485REP RS485 DRIVER IC  
WITH STATIC PROTECTION
- 4) TEMPERATURE RANGE: -40C TO +85C
- 5) HUMIDITY: 10-90% RH NON-CONDENSING
- 6) BAUD: 300-115.2K+ (LIMITED SLEW)
- 7) OPERATING VOLTAGE: 8-12VDC
- 8) TYPICAL POWER: UNDER 0.5W
- 9) HALF-DUPLEX 2-WIRE RS485 TO  
HALF-DUPLEX 4-WIRE RS422.

**RES** Smith  
[www.rs485.com](http://www.rs485.com)  
4311 R. E. Smith Drive, West Chester, Ohio 45069  
513-874-4796

OPTIONAL ENCLOSURE,  
AND POWER SUPPLY  
ARE AVAILABLE.

[www.rs485.com](http://www.rs485.com)



|  |  |              |   |        |
|--|--|--------------|---|--------|
| This drawing is the property of R. E. SMITH and shall not be used except with the written permission of R. E. SMITH, no copies shall be made of it and all proprietary rights in the matter contained in this drawing are the property of R. E. SMITH.<br>COPYRIGHT - R. E. SMITH, 2000-2008 |  | DRAWN BY RES | SUBJECT RS485/RS422   |        |
| SHEET 1 OF 1   |  | DATE 2-26-08 | FOR AUTOMATIC CONV.   |        |
| RSFC44T  |  | SCALE NONE   | RES R. E. SMITH 4311 R. E. SMITH DRIVE HAMILTON, OHIO 45011 |        |
|  |  | CHKD. BY RES | DWG. NO. RSFC44T  | REV. B |