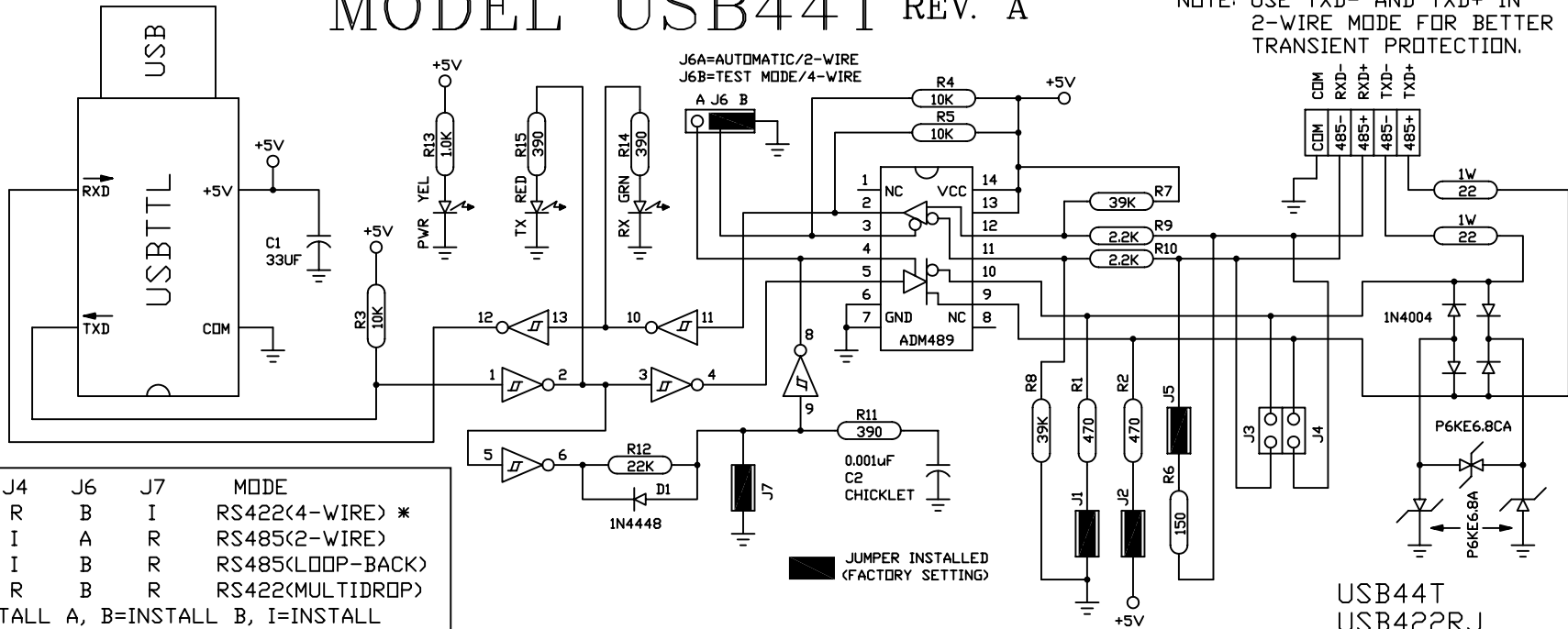


# MODEL USB44T REV. A

NOTE: USE TXD- AND TXD+ IN 2-WIRE MODE FOR BETTER TRANSIENT PROTECTION.



J3	J4	J6	J7	MODE
R	R	B	I	RS422(4-WIRE) *
I	I	A	R	RS485(2-WIRE)
I	I	B	R	RS485(LOOP-BACK)
R	R	B	R	RS422(MULTIDROP)

A=INSTALL A, B=INSTALL B, I=INSTALL  
 R=REMOVE, \*=FACTORY DEFAULT SETTING  
 J1=BIAS-, J2=BIAS+, J5=TERMINATION

## GENERAL INFO.

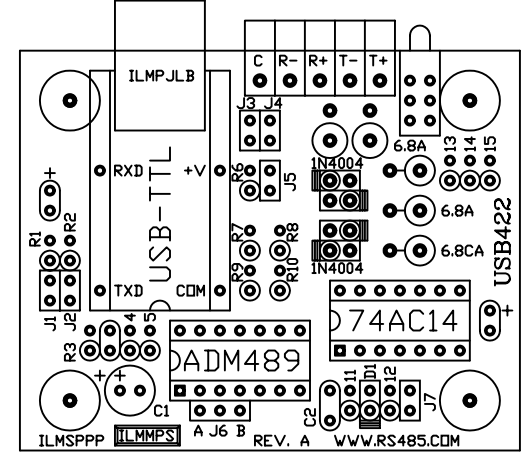
FAST AUTOMATIC, AUTO TX-ENABLE USB TO RS485/422 CONVERTER FOR 2/4-WIRE APPLICATIONS AT DATA RATES UP TO 230.4KBPS. LEDs FOR POWER, TX DATA, RX DATA. PLUS ONBOARD BIAS & TERMINATION, WITH ADM489 SHORT-CIRCUIT PROTECTED DRIVER IC. TEST MODE JUMPER, SUPERIOR DISCRETE TRANSIENT PROTECTION FOR INDUSTRIAL APPS.

## SPECIFICATIONS

- 1) SIZE: 2.50" X 2.00" X 1.2" (PC BOARD) WITH CONNECTORS: 2.50" X 2.50"
- 2) MOUNTING HOLES: 4-PLACES 2.00" X 1.50" (#6 HARDWARE)
- 3) ADM489 RS485/422 DRIVER IC WITH SHORT-CIRCUIT PROTECTION
- 4) TEMPERATURE RANGE: 0C TO +70C
- 5) HUMIDITY: 10-90% RH NON-CONDENSING
- 6) BAUD: 300-230.4K (LIMITED SLEW)
- 7) SPECIAL UNITS TO 921.6KBPS
- 8) TYPICAL POWER: UNDER 0.5W
- 9) HALF-DUPLEX 2-WIRE RS485
- 10) FULL-DUPLEX 4-WIRE RS485/422

USB44T  
 USB422RJ  
 USB24CAT  
 555980-1 (RJ10)

ACTUAL SIZE (1:1)



www.rs485.com

This drawing is the property of R. E. SMITH and shall not be used except with the written permission of R. E. SMITH, no copies shall be made of it and all proprietary rights in the matter contained in this drawing are the property of R. E. SMITH. COPYRIGHT - R. E. SMITH, 2000-2006		DRAWN BY RES	SUBJECT USB<=>RS485/422
SHEET 1 OF 1		DATE 1-14-06	FOR AUTOMATIC CONV.
USB44T		SCALE NONE	RES R. E. SMITH 4311 R. E. SMITH DRIVE HAMILTON, OHIO 45011
CHKD. BY RES		DWG. NO. USB44T	REV. A