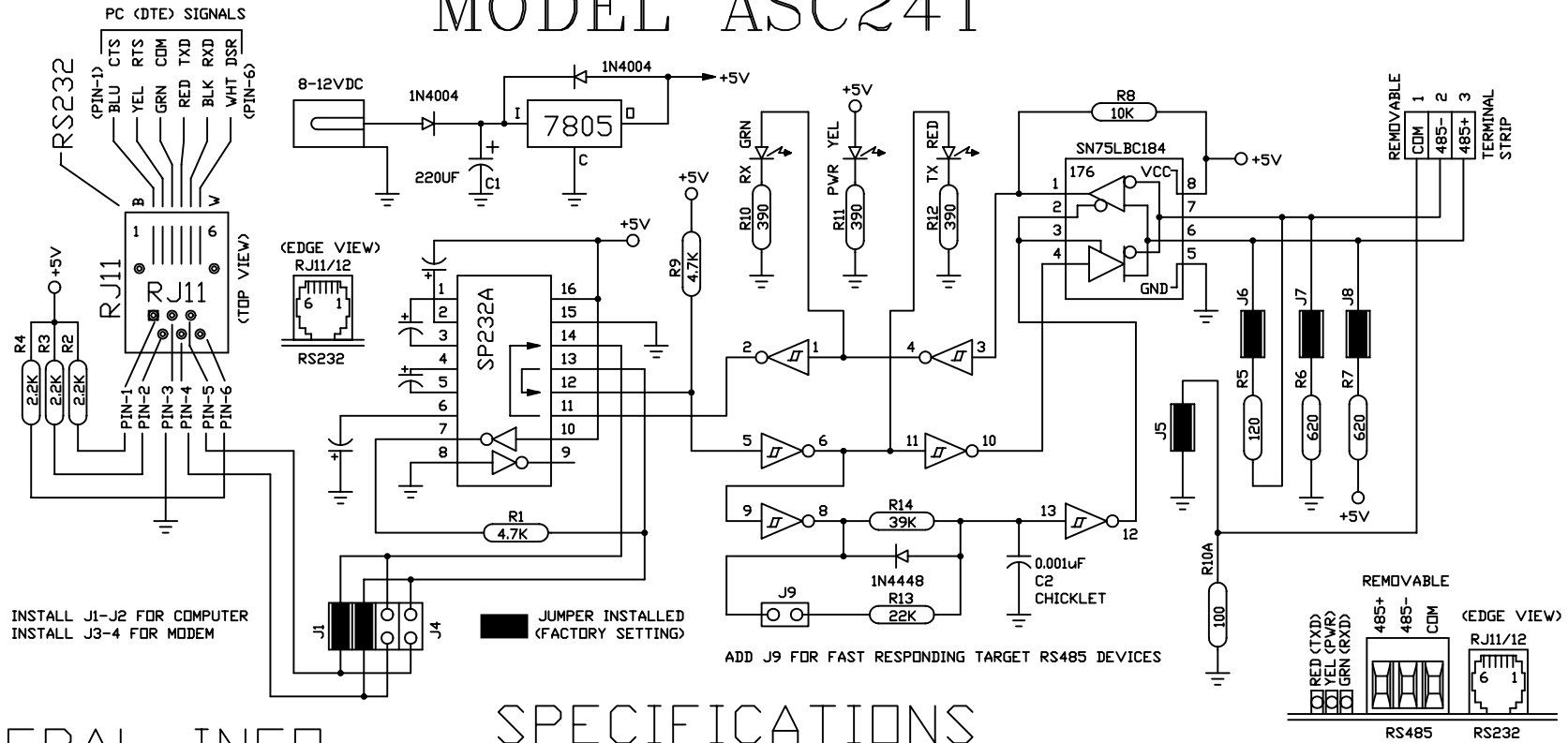


MODEL ASC24T



GENERAL INFO.
 FAST AUTOMATIC AUTO TX-ENABLE
 RS232 TO RS485 CONVERTER FOR
 2-WIRE APPLICATIONS AT BAUD
 RATES UP TO 115.2K. LEDs FOR
 POWER, TX DATA, AND RX DATA.
 ONBOARD BIAS AND TERMINATION
 WITH ONE-HALF UNIT LOAD TI
 SN75LBC184N DRIVER IC WITH
 SUPERIOR TRANSIENT PROTECTION.

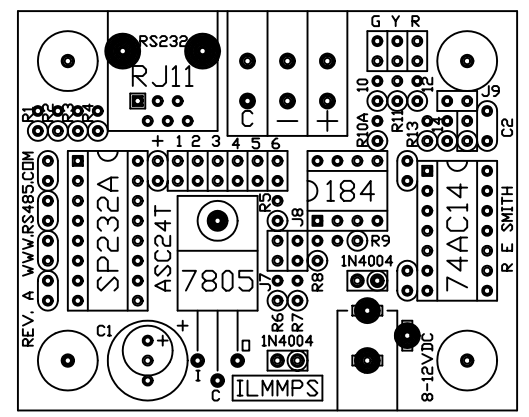
SPECIFICATIONS

- 1) SIZE: 2.50" X 2.00" X 0.9" (PC BOARD)
 WITH CONNECTORS: 2.50" X 2.25"
- 2) MOUNTING HOLES: 4-PLACES
 2.00" X 1.50" (#6 HARDWARE)
- 3) TI SN75LBC184N RS485 DRIVER IC
 BUILT-IN TRANSIENT PROTECTION
- 4) TEMPERATURE RANGE: 0C TO 65C
- 5) HUMIDITY: 10-90% RH NON-CONDENSING
- 6) BAUD: 300-115.2K (LIMITED SLEW)
- 7) OPERATING VOLTAGE: 8-12VDC
- 8) TYPICAL POWER: UNDER 0.5W
- 9) HALF-DUPLEX 2-WIRE RS485

R. E. SMITH
 4311 TYLERSVILLE ROAD
 HAMILTON, OHIO 45011
 (513) 874-4796

www.rs485.com

OPTIONAL ENCLOSURE,
 CABLE (DB9F OR DB25F),
 AND POWER SUPPLY
 ARE AVAILIABLE.



This drawing is the property of R. E. SMITH and shall not be used except with the written permission of R. E. SMITH, no copies shall be made of it and all proprietary rights in the matter contained in this drawing are the property of R. E. SMITH. COPYRIGHT - R. E. SMITH, 2000		DRAWN BY RES	SUBJECT RS232/RS485	
SHEET 1 OF 1		DATE 2-17-00	FOR AUTOMATIC CONV.	
ASC24T		SCALE NONE	RES R. E. SMITH 4311 TYLERSVILLE RD. HAMILTON, OHIO 45011	
CHKD. BY RES		DWG. NO. ASC24T		REV. A