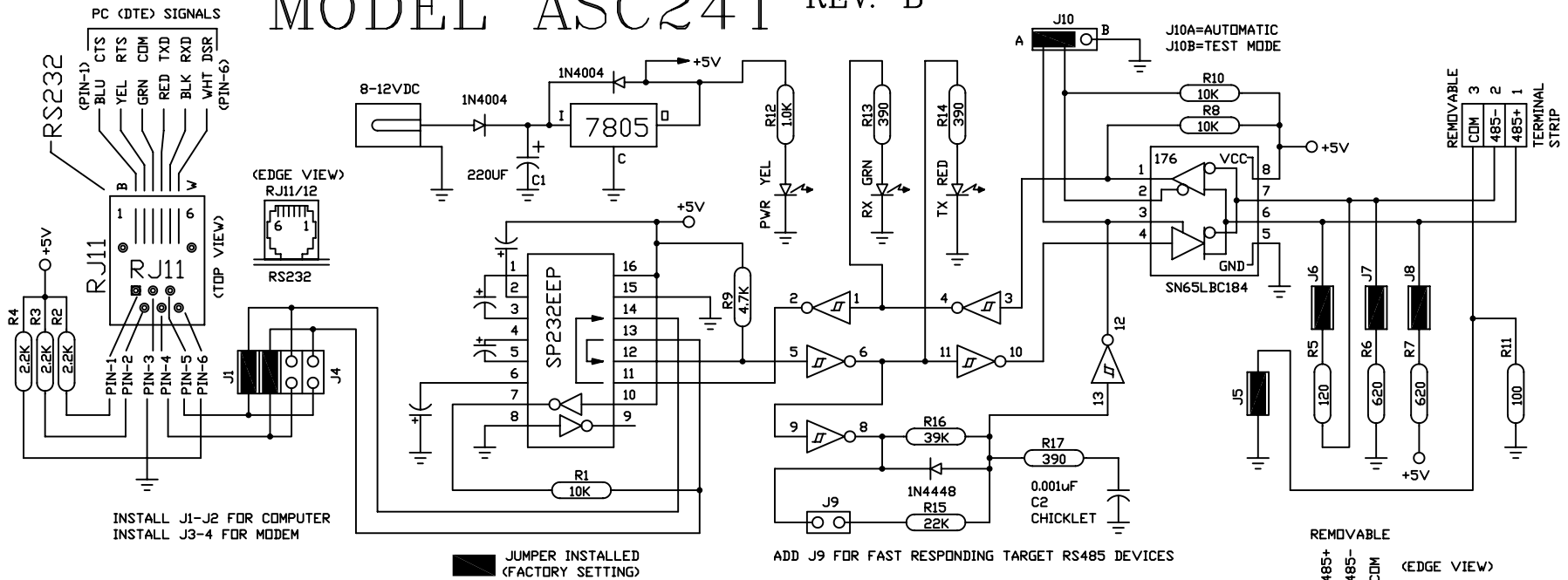


MODEL ASC24T REV. B

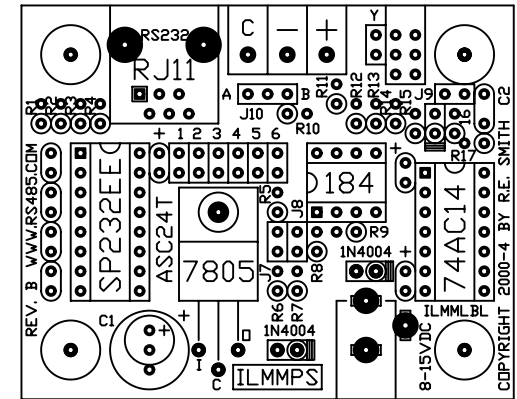


GENERAL INFO.

FAST AUTOMATIC AUTO TX-ENABLE RS232 TO RS485 CONVERTER FOR 2-WIRE APPLICATIONS AT BAUD RATES UP TO 115.2K. LEDs FOR POWER, TX DATA, AND RX DATA. ONBOARD BIAS AND TERMINATION WITH ONE-HALF UNIT LOAD TI SN65BLC184N DRIVER IC WITH SUPERIOR TRANSIENT PROTECTION. TEST MODE JUMPER, AND IMPROVED AUTO TRANSMIT ENABLE TIMING.

SPECIFICATIONS

- 1) SIZE: 2.50" X 2.00" X 0.9" (PC BOARD) WITH CONNECTORS: 2.50" X 2.25"
- 2) MOUNTING HOLES: 4-PLACES 2.00" X 1.50" (#6 HARDWARE)
- 3) TI SN65BLC184N RS485 DRIVER IC BUILT-IN TRANSIENT PROTECTION
- 4) TEMPERATURE RANGE: -40C TO +85C
- 5) HUMIDITY: 10-90% RH NON-CONDENSING
- 6) BAUD: 300-115.2K (LIMITED SLEW)
- 7) OPERATING VOLTAGE: 8-15VDC
- 8) TYPICAL POWER: UNDER 0.5W
- 9) HALF-DUPLEX 2-WIRE RS485



RS-Smith
 WWW.RS485.COM
 4311 R. E. Smith Drive, Hamilton, Ohio 45011
 513-874-4796

OPTIONAL ENCLOSURE, CABLE (DB9F OR DB25F), AND POWER SUPPLY ARE AVAILABLE.

This drawing is the property of R. E. SMITH and shall not be used except with the written permission of R. E. SMITH, no copies shall be made of it and all proprietary rights in the matter contained in this drawing are the property of R. E. SMITH.
 COPYRIGHT - R. E. SMITH, 2000-2004

DRAWN BY RES	SUBJECT RS232/RS485
DATE 3-16-04	FOR AUTOMATIC CONV.
SCALE NONE	RES R. E. SMITH DVG. NO. ASC24T
CHKD. BY RES	REV. B
SHEET 1 OF 1	ASC24T