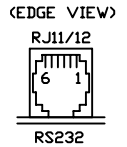
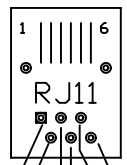
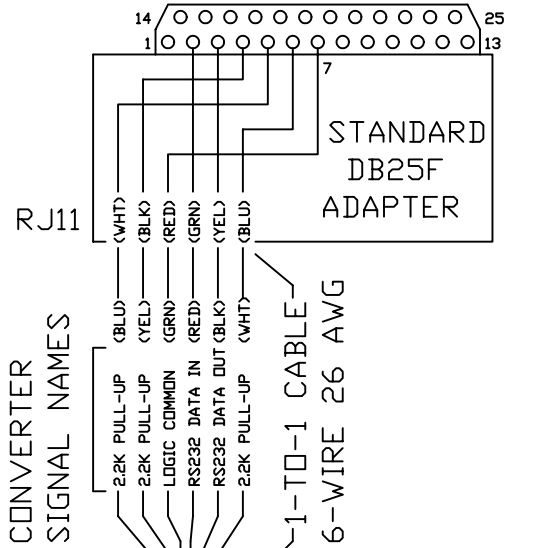
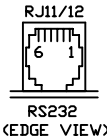
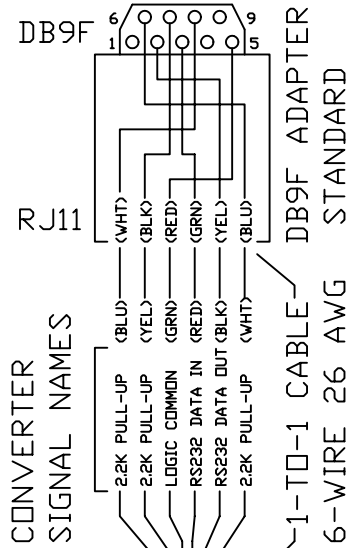
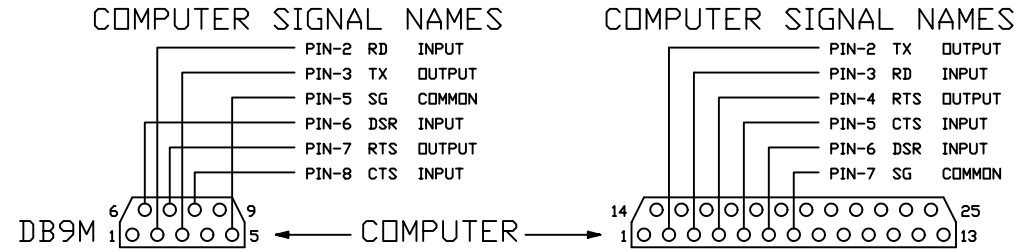
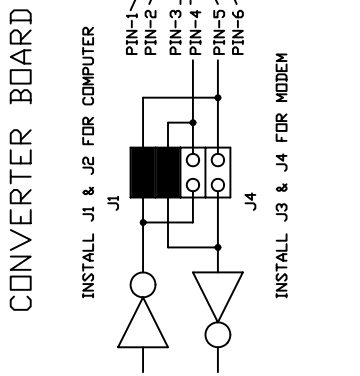
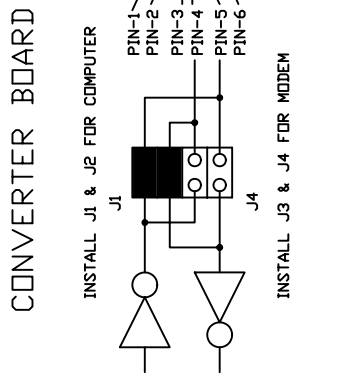
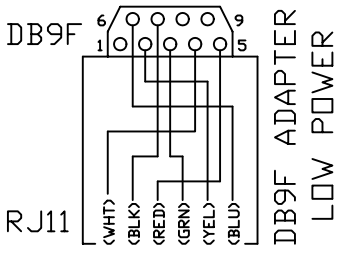
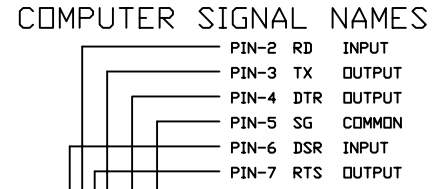
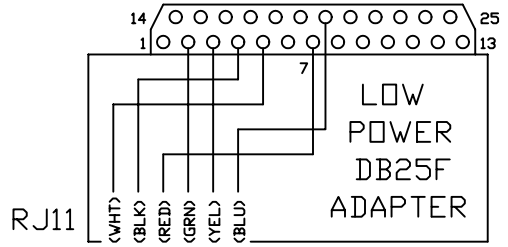
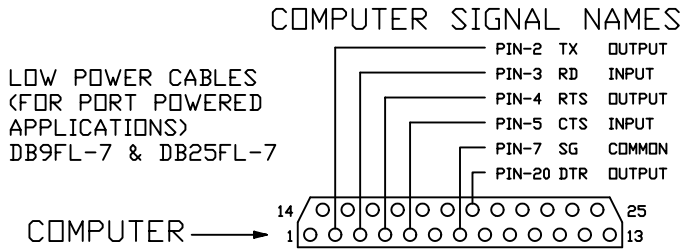


STANDARD RS232 CABLES



STANDARD CABLES (DB9F-7 & DB25F-7)

PORT POWERED RS232 CABLES



R. E. SMITH
4311 TYLERSVILLE ROAD
HAMILTON, OHIO 45011
513-874-4796

www.rs485.com

This drawing is the property of R. E. SMITH and shall not be used except with the written permission of R. E. SMITH, no copies shall be made of it and all proprietary rights in the matter contained in this drawing are the property of R. E. SMITH.		DRAWN BY RES	SUBJECT RS232 "DB" CABLES	
COPYRIGHT - R. E. SMITH, 1999		DATE 1-30-99	FOR RJ11/12 TO DB9F/25F	
SHEET 1 OF 1		SCALE NONE	R. E. SMITH 431 TYLERSVILLE RD. HAMILTON, OHIO 45011	
CABLE232		CHKD. BY RES	DWG. NO. CABLE232	
			REV. A	