

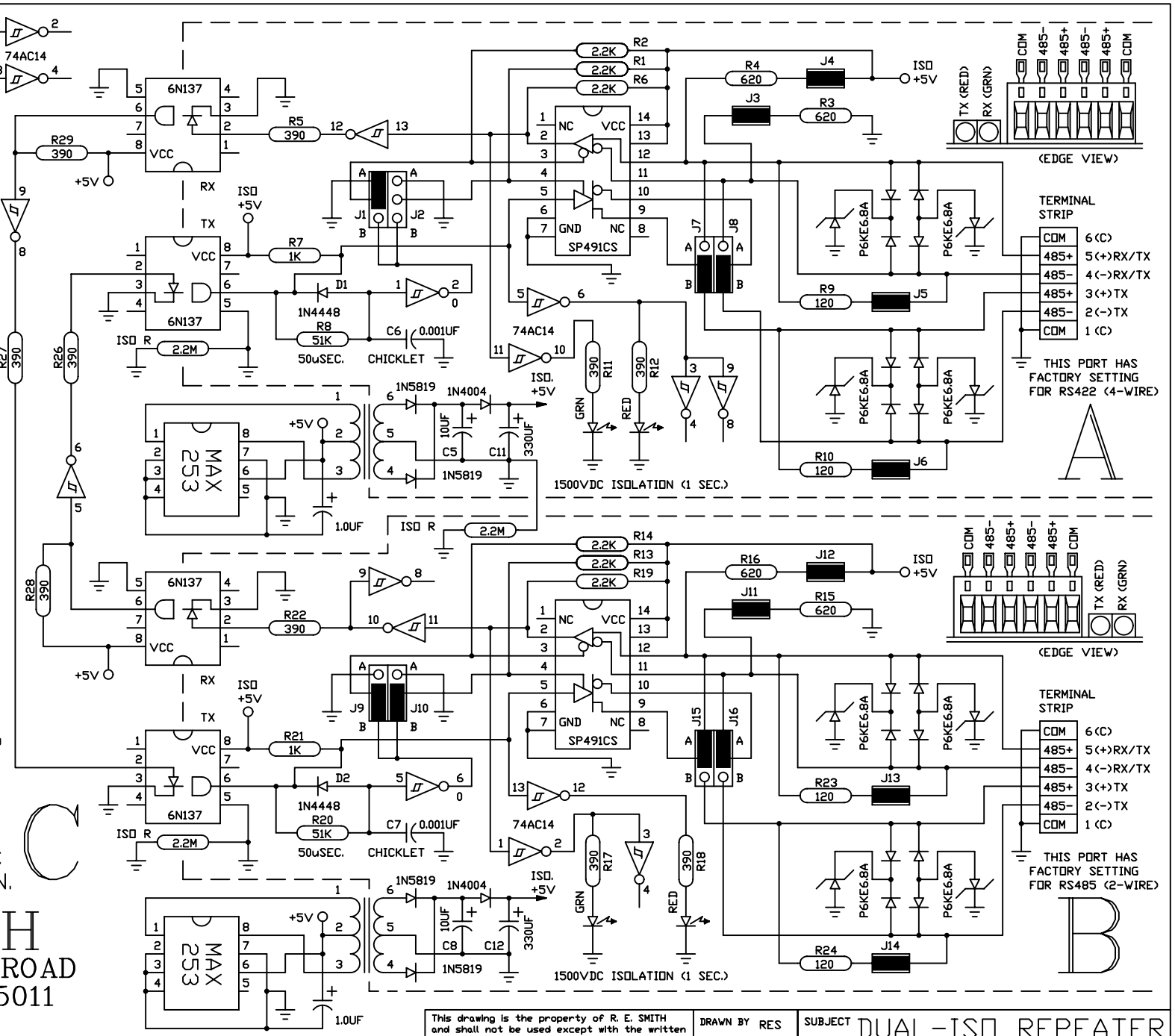
MODEL DIACR44

DUAL ISOLATION
1500VDC FOR 1 SEC.

THIS UNIT CAN BE USED AS AN RS422 TO RS422 REPEATER, AS AN RS485 TO RS485 REPEATER, OR AS AN RS485 (2-WIRE) TO RS422 (4-WIRE) CONVERTER. THE RS422 TX FUNCTION CAN BE GATED ON OR SELECTED FOR ALWAYS ON MODE OF OPERATION.

R. E. SMITH
4311 TYLERSVILLE ROAD
HAMILTON, OHIO 45011
513-874-4796

www.rs485.com



■ JUMPER INSTALLED
(FACTORY SETTING)

This drawing is the property of R. E. SMITH and shall not be used except with the written permission of R. E. SMITH, no copies shall be made of it and all proprietary rights in the matter contained in this drawing are the property of R. E. SMITH.		DRAWN BY RES		SUBJECT DUAL-ISO REPEATER	
COPYRIGHT - R. E. SMITH, 1999		DATE 6-4-99		FOR 1500VDC ISOLATED	
SHEET 1 OF 1		SCALE NONE		RES R. E. SMITH 4311 TYLERSVILLE RD. HAMILTON, OHIO 45011	
DIACR44		CHKD. BY RES		DWG. NO. DIACR44	
				REV. B	