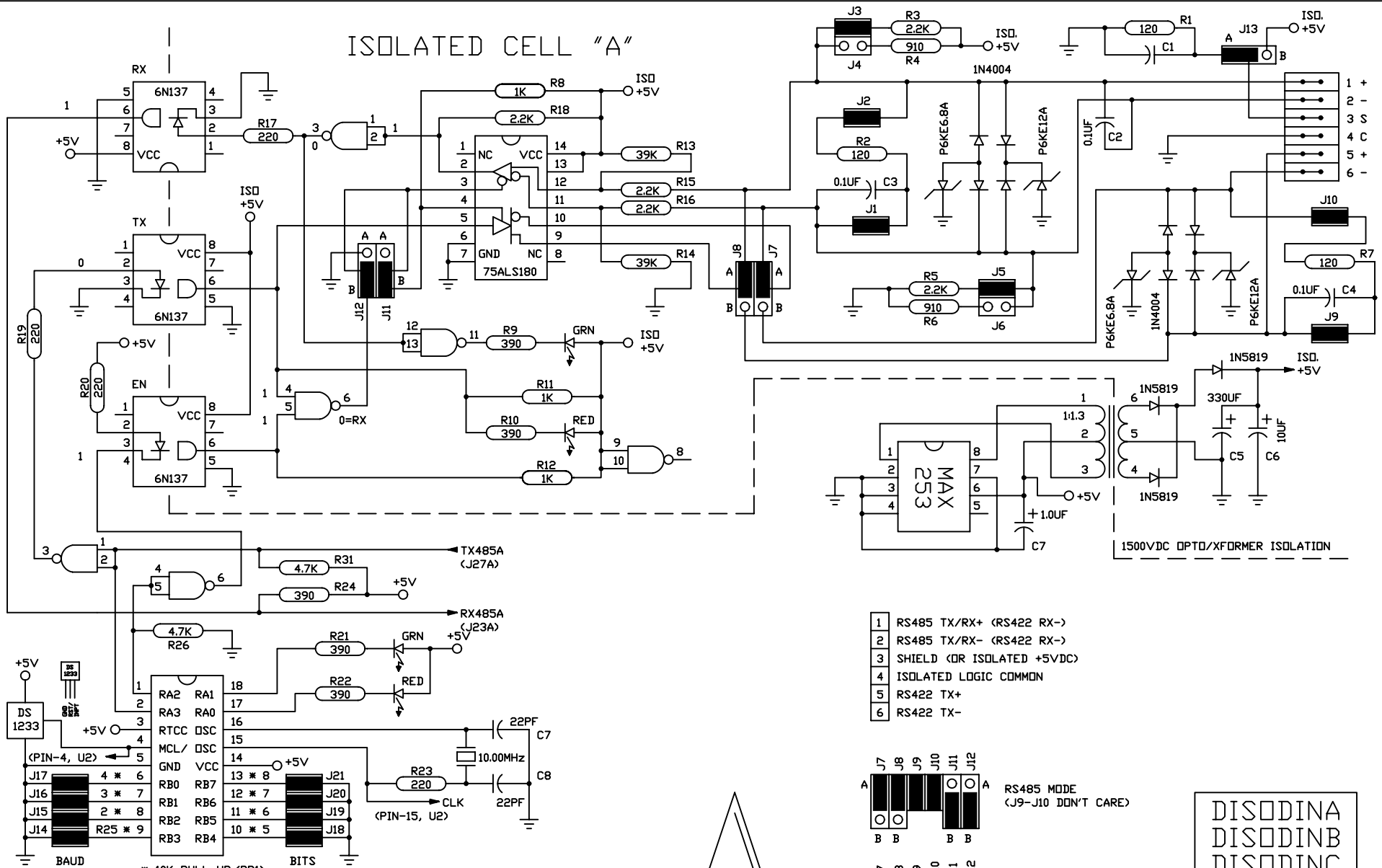
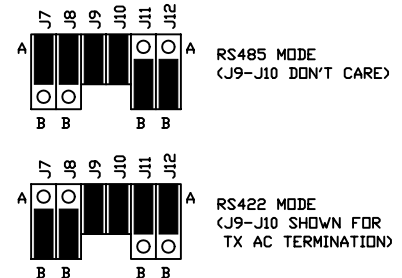


# ISOLATED CELL "A"



- 1 RS485 TX/RX+ (RS422 RX-)
- 2 RS485 TX/RX- (RS422 RX-)
- 3 SHIELD (OR ISOLATED +5VDC)
- 4 ISOLATED LOGIC COMMON
- 5 RS422 TX+
- 6 RS422 TX-



DISODINA  
DISODINB  
DISODINC  
DISODINS

■ JUMPER INSTALLED  
(FACTORY SETTING)

R. E. SMITH  
4311 TYLERSVILLE ROAD  
HAMILTON, OHIO 45011  
(513) 874-4796

# MODEL DISODIN REV. B

This drawing is the property of R. E. SMITH and shall not be used except with the written permission of R. E. SMITH, no copies shall be made of it and all proprietary rights in the matter contained in this drawing are the property of R. E. SMITH. COPYRIGHT - R. E. SMITH, 1996		DRAWN BY RES	SUBJECT DUAL ISOLATED	
SHEET 1 OF 1		DATE 6-22-96	FOR DIN CONVERTER BD.	
DISODINA		SCALE NONE	RES R. E. SMITH 4311 TYLERSVILLE RD. HAMILTON, OHIO 45011	
DISODINA		CHKD. BY RES	DWG. NO. DISODINA	REV. B