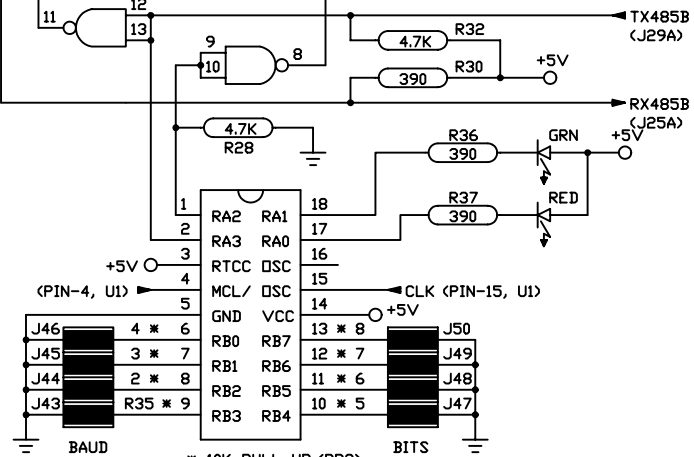
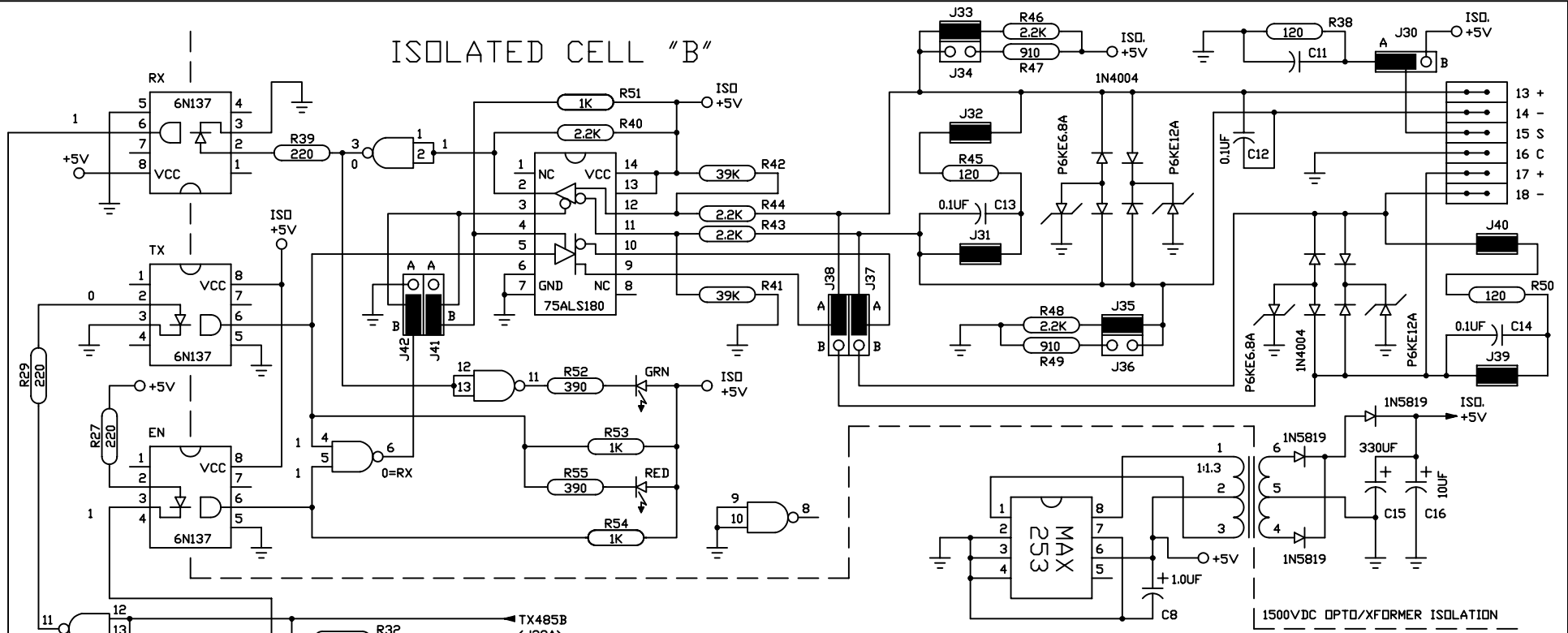
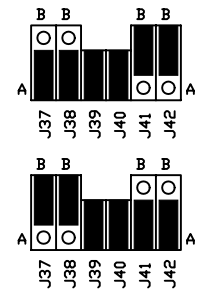


ISOLATED CELL "B"



- 13 RS485 TX/RX+ (RS422 RX-)
- 14 RS485 TX/RX- (RS422 RX-)
- 15 SHIELD (OR ISOLATED +5VDC)
- 16 ISOLATED LOGIC COMMON
- 17 RS422 TX+
- 18 RS422 TX-



RS485 MODE
 (J39-J40 DINT CARE)

RS422 MODE
 (J39-J40 SHOWN FOR
 TX AC TERMINATION)

DISODINA
 DISODINB
 DISODINC
 DISODINS

R. E. SMITH
 4311 TYLERSVILLE ROAD
 HAMILTON, OHIO 45011
 (513) 874-4796

MODEL DISODIN REV. B

This drawing is the property of R. E. SMITH and shall not be used except with the written permission of R. E. SMITH, no copies shall be made of it and all proprietary rights in the matter contained in this drawing are the property of R. E. SMITH. COPYRIGHT - R. E. SMITH, 1996		DRAWN BY RES DATE 6-22-96 SCALE NONE CHKD. BY RES	SUBJECT DUAL ISOLATED FOR DIN CONVERTER BD. RES R. E. SMITH 4311 TYLERSVILLE RD. HAMILTON, OHIO 45011	DWG. NO. DISODINB REV. B
SHEET 1 OF 1	DISODINB			