

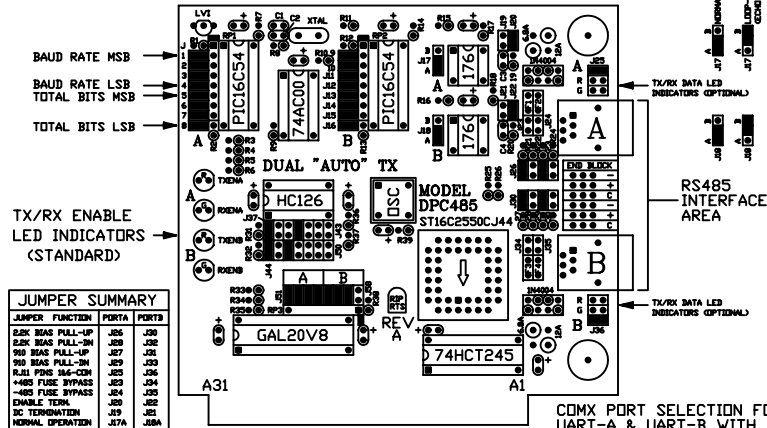
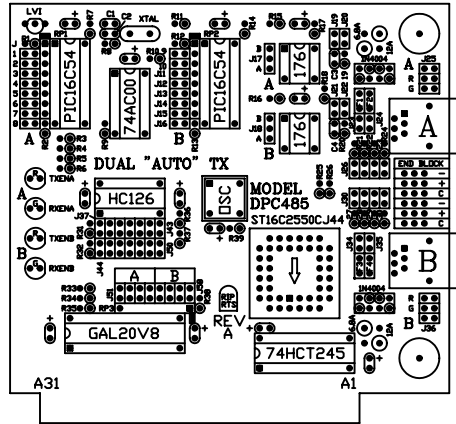
MODEL DPC485 HIGH SPEED DUAL SERIAL CARD WITH FIFO

DPC485 ISA BUS DUAL RS485 AUTO TX ENABLE SERIAL CARD (ACTUAL SIZE)
AUTOMATIC DATA DIRECTION CONTROL FOR HALF-DUPLEX SYSTEMS, NO DELAYS!!!

J25, J36 INSTALL FOR RJ11 PINS 1&6 TO DIGITAL COMMON

J20, J22 INSTALL TO ENABLE TERMINATION

J19, J21 INSTALL FOR DC TERMINATION, REMOVE FOR AC TERMINATION



JUMPER	FUNCTION	PORTA	PORTB
J25	RSK BEAS PULL-UP	J25	J36
J26	RSK BEAS PULL-DN	J26	J37
J27	RSK BEAS PULL-UP	J27	J38
J28	RSK BEAS PULL-DN	J28	J39
J29	RUE PINS 1&6-COM	J29	J40
J30	RUE PINS 1&6-COM	J30	J41
J31	+485 FUSE BYPASS	J31	J42
J32	+485 FUSE BYPASS	J32	J43
J33	ENABLE TERM	J33	J44
J34	DC TERMINATION	J34	J45
J35	NORMAL OPERATION	J35	J46
J36	LOOP-BACK TEST	J36	J47

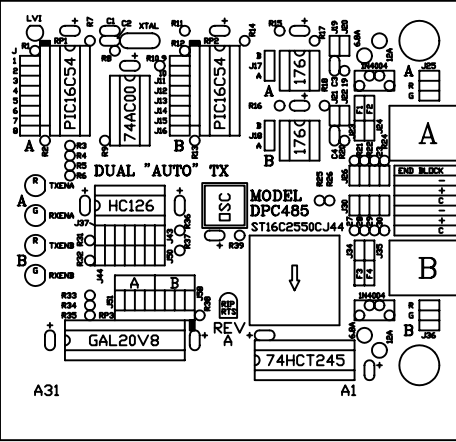
300-115.2K BAUD STANDARD (SPECIAL UNITS TO 460.8K)

BAUD RATE JUMPERS FOR UART-A/UART-B				TOTAL BITS, START, PARITY, DATA, STOP				EXAMPLES			
UART-A	J1	J2	J3	J4	UART-B	J5	J6	J7	J8	COM#	ST#
300	REMOVE	REMOVE	REMOVE	REMOVE	6	REMOVE	REMOVE	REMOVE	REMOVE	COM1	375H
600	REMOVE	REMOVE	REMOVE	INSTALL	6-1/2	REMOVE	REMOVE	REMOVE	INSTALL	COM2	375H
1200	REMOVE	REMOVE	INSTALL	REMOVE	7	REMOVE	REMOVE	INSTALL	REMOVE	COM3	375H
2400	REMOVE	REMOVE	INSTALL	INSTALL	7-1/2	REMOVE	REMOVE	INSTALL	INSTALL	COM4	375H
4800	REMOVE	INSTALL	REMOVE	REMOVE	8	REMOVE	INSTALL	REMOVE	REMOVE	COM5	375H
9600	REMOVE	INSTALL	REMOVE	INSTALL	8-1/2	REMOVE	INSTALL	REMOVE	INSTALL	COM6	375H
19200	REMOVE	INSTALL	INSTALL	REMOVE	9	REMOVE	INSTALL	INSTALL	REMOVE	COM7	375H
38400	REMOVE	INSTALL	INSTALL	INSTALL	9-1/2	REMOVE	INSTALL	INSTALL	INSTALL	COM8	375H
57600	INSTALL	REMOVE	REMOVE	REMOVE	10	INSTALL	REMOVE	REMOVE	REMOVE	COM9	375H
76800	INSTALL	REMOVE	REMOVE	INSTALL	10-1/2	INSTALL	REMOVE	REMOVE	INSTALL	COM10	375H
115200	INSTALL	REMOVE	INSTALL	REMOVE	11	INSTALL	REMOVE	INSTALL	REMOVE	COM11	375H
REV2	INSTALL	REMOVE	INSTALL	INSTALL	11-1/2	INSTALL	REMOVE	INSTALL	INSTALL	COM12	375H
REV3	INSTALL	INSTALL	REMOVE	REMOVE	12	INSTALL	INSTALL	REMOVE	REMOVE	COM13	375H
REV3	INSTALL	INSTALL	REMOVE	INSTALL	12-1/2	INSTALL	INSTALL	REMOVE	INSTALL	COM14	375H
REV3	INSTALL	INSTALL	INSTALL	REMOVE	13	INSTALL	INSTALL	REMOVE	REMOVE	COM15	375H
9600H	INSTALL	INSTALL	INSTALL	INSTALL	13-1/2	INSTALL	INSTALL	INSTALL	INSTALL	COM16	375H

* FACTORY SETTINGS FOR 9600, 11.5, 1 WITH ALL BIT JUMPERS REMOVED. REMOVE JUMPERS AS REQUIRED FOR ALL OTHER BAUD RATES.

* NOTES - 1 = NO PARITY AND DOES NOT COUNT AS A BIT. E = EVEN, O = ODD PARITY AND COUNTS AS A BIT. ADD TOTAL OF START, PARITY, DATA AND STOP BITS.

NOTE: REMOVE POWER TO CHANGE BAUD/BIT JUMPERS



R. E. SMITH 513-874-4796

R. E. SMITH
4311 TYLERSVILLE ROAD
HAMILTON, OHIO 45011
(513) 874-4796

DPC485A = AUTO CONV.
DPC485B = BUS INT.
DPC485S = SILK SCR.N.

SHEET 1 OF 1	DPC486S	DRAWN BY RES	SUBJECT DUAL ASYNC. UART
		DATE 3-17-96	FOR PC/ISA INTERFACE
		SCALE NONE	RES R. E. SMITH 4311 TYLERSVILLE RD. HAMILTON, OHIO 45011
CHKD. BY RES	DWG. NO. DPC485S	REV. A	

This drawing is the property of R. E. SMITH and shall not be used except with the written permission of R. E. SMITH, no copies shall be made of it and all proprietary rights in the matter contained in this drawing are the property of R. E. SMITH.
COPYRIGHT - R. E. SMITH, 1995