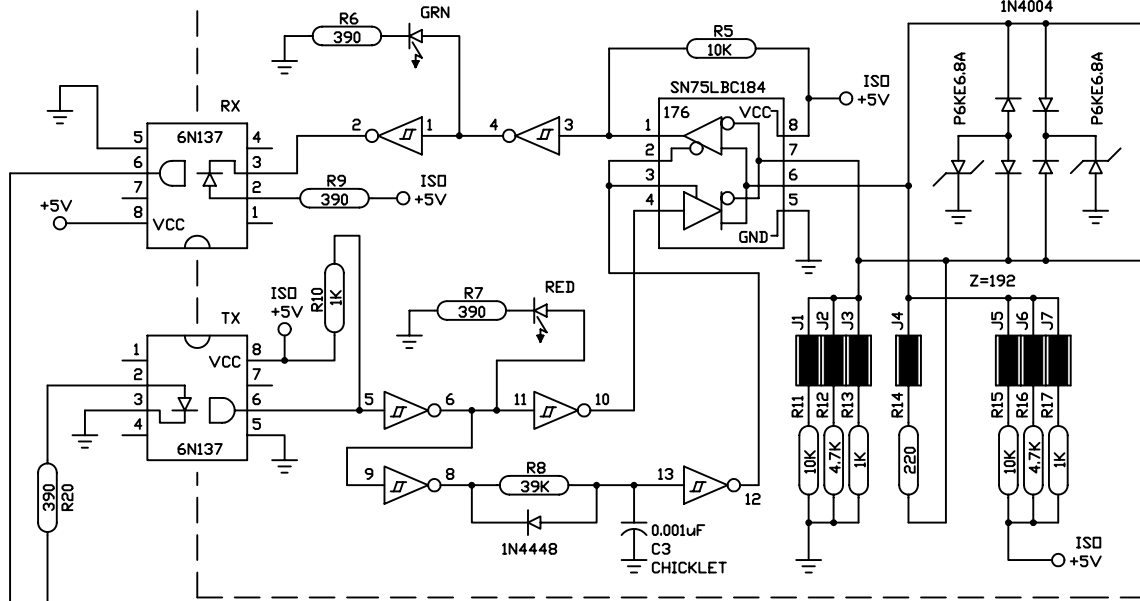


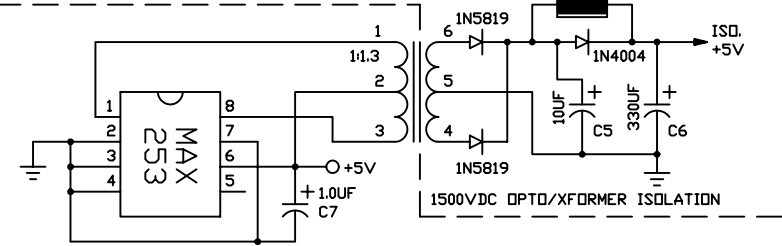
MODEL IRSFC24FB

www.rs485.com

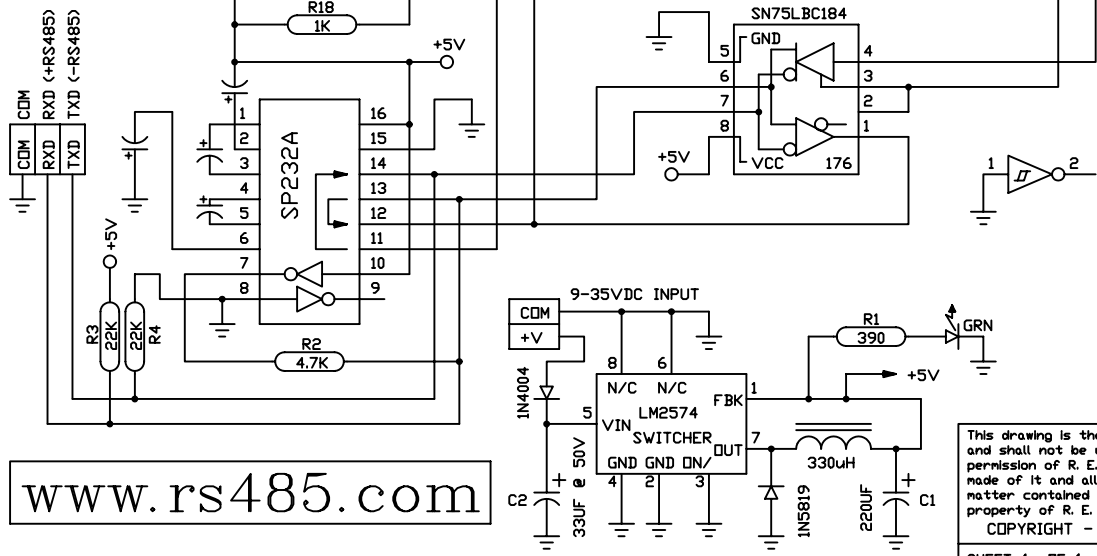
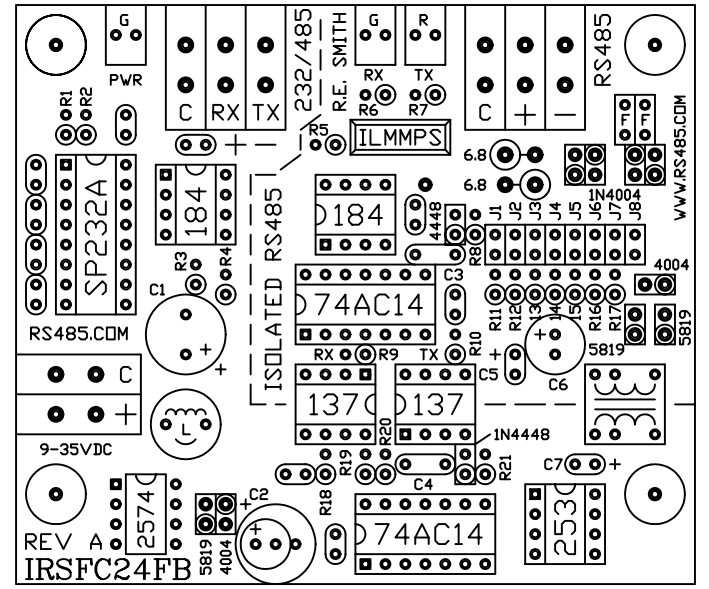
R. E. SMITH
4311 TYLERSVILLE ROAD
HAMILTON, OHIO 45011
(513) 874-4796



ISOLATED RS485



ACTUAL SIZE



www.rs485.com

| | | | | |
|---|--|--------------------|---|--------|
| This drawing is the property of R. E. SMITH and shall not be used except with the written permission of R. E. SMITH, no copies shall be made of it and all proprietary rights in the matter contained in this drawing are the property of R. E. SMITH. COPYRIGHT - R. E. SMITH, 1999 | | DRAWN BY RES | SUBJECT RS232/RS485 | |
| SHEET 1 OF 1 | | DATE 6-28-99 | FOR 1500VDC ISOLATED | |
| IRSFC24FB | | SCALE NONE | R. E. SMITH 4311 TYLERSVILLE RD. HAMILTON, OHIO 45011 | |
| CHKD. BY RES | | REV. NO. IRSFC24FB | | REV. A |