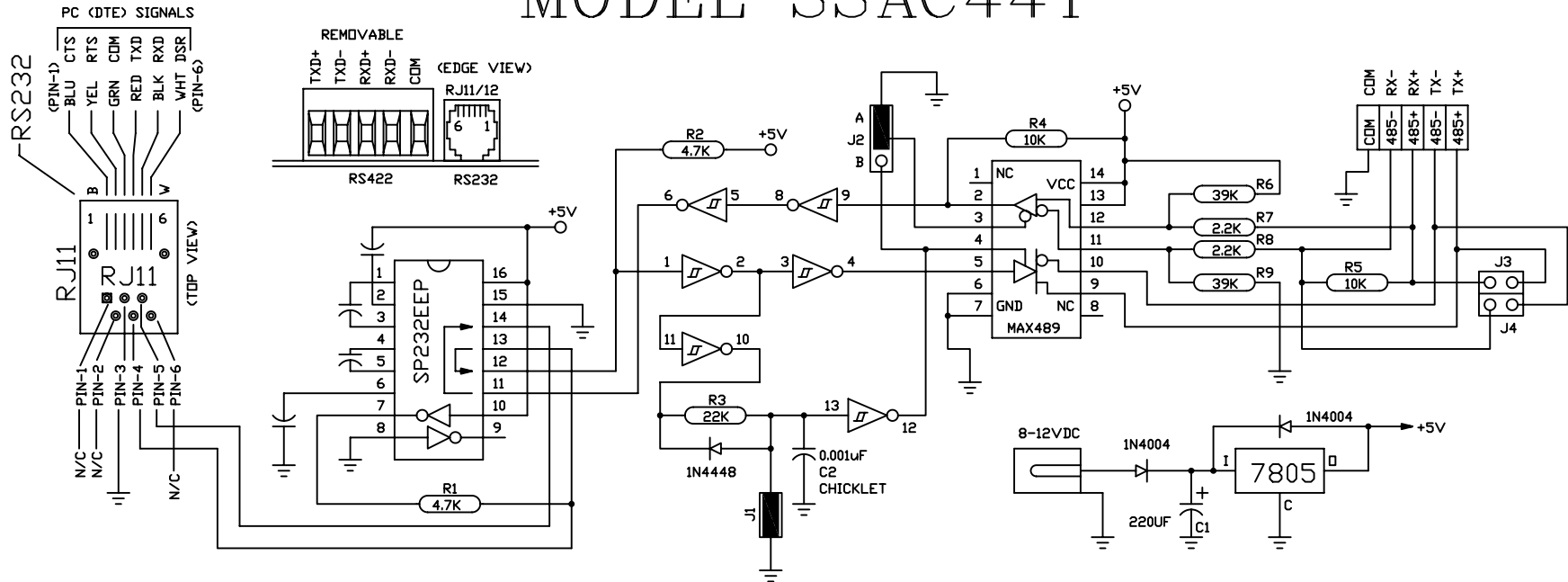


# MODEL SSAC44T



## GENERAL INFO.

FAST AUTOMATIC AUTO TX-ENABLE RS232 TO RS485 CONVERTER FOR 2/4-WIRE APPLICATIONS AT BAUD RATES UP TO 115.2K. LIMITED SLEW RATE DRIVERS WITH LIGHT ONBOARD BIAS AND TERMINATION.

J1	J2	J3	J4	MODE
I	A	R	R	RS422(4-WIRE)*
R	A	R	R	RS422(AUTO-TX)
X	A	I	I	RS422(LOOP-TEST)
R	B	I	I	RS485(2-WIRE)
R	A	I	I	RS485(LOOP-TEST)

A=INSTALL A, B=INSTALL B, I=INSTALL  
R=REMOVE, X=DON'T CARE, \*=FACTORY SETTING

R. E. SMITH  
4311 TYLERSVILLE ROAD  
HAMILTON, OHIO 45011  
(513) 874-4796

[www.rs485.com](http://www.rs485.com)

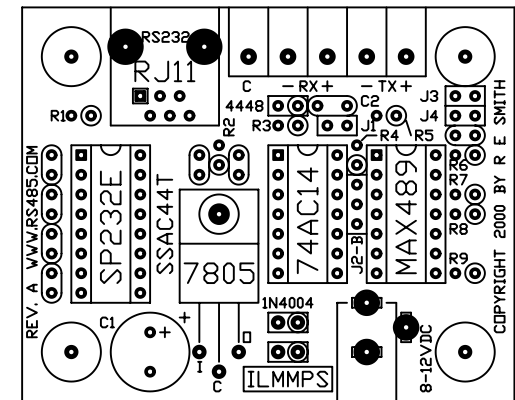
OPTIONAL ENCLOSURE, CABLE (DB9F OR DB25F), AND POWER SUPPLY ARE AVAILABLE.

## SPECIFICATIONS

- 1) SIZE: 2.50" X 2.00" X 0.9" (PC BOARD) WITH CONNECTORS: 2.50" X 2.65"
- 2) MOUNTING HOLES: 4-PLACES 2.00" X 1.50" (#6 HARDWARE)
- 3) LIMITED SLEW RATE RS485 DRIVER (MAX489) IC.
- 4) TEMPERATURE RANGE: 0C TO 65C
- 5) HUMIDITY: 10-90% RH NON-CONDENSING
- 6) BAUD: 300-115.2K (LIMITED SLEW)
- 7) OPERATING VOLTAGE: 8-12VDC
- 8) TYPICAL POWER: UNDER 0.5W
- 9) HALF-DUPLEX 2/4-WIRE RS422/485

\$45.00ea 1-9 Qty.  
\$34.75ea 100 Qty.

ACTUAL SIZE (1:1)



This drawing is the property of R. E. SMITH and shall not be used except with the written permission of R. E. SMITH, no copies shall be made of it and all proprietary rights in the matter contained in this drawing are the property of R. E. SMITH.  
COPYRIGHT - R. E. SMITH, 2000

DRAWN BY RES	SUBJECT RS232/RS485
DATE 2-17-00	FOR AUTOMATIC CONV.
SCALE NONE	RES R. E. SMITH DVG. NO. SSAC44T
CHKD. BY RES	REV. A

SHEET 1 OF 1

SSAC44T

RES R. E. SMITH  
4311 TYLERSVILLE RD.  
HAMILTON, OHIO 45011

DWG. NO. SSAC44T  
REV. A