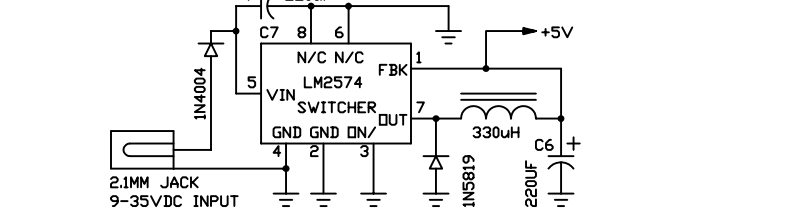
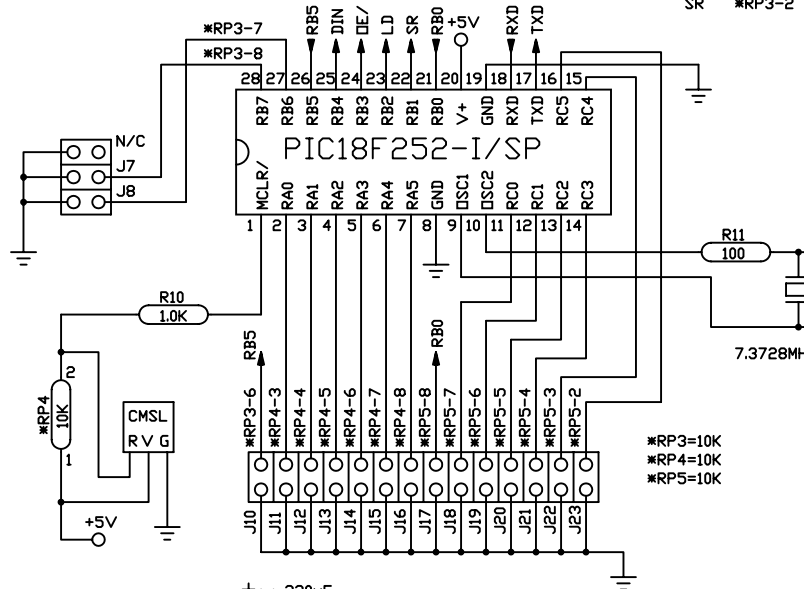
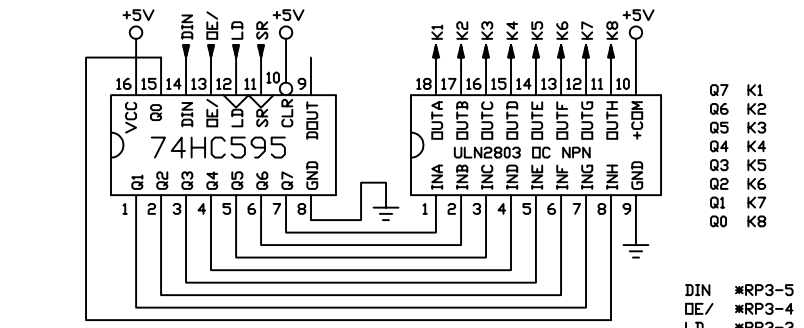
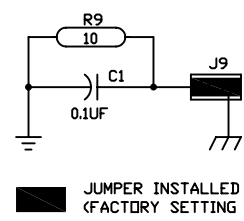


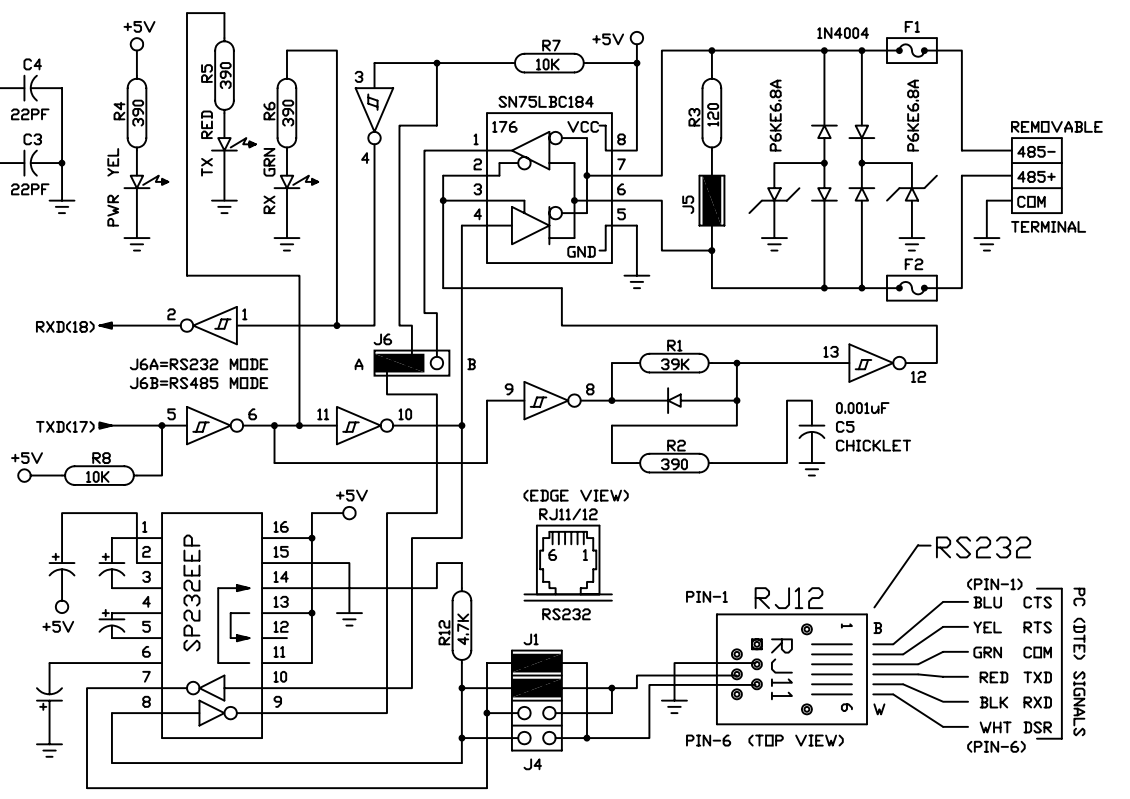
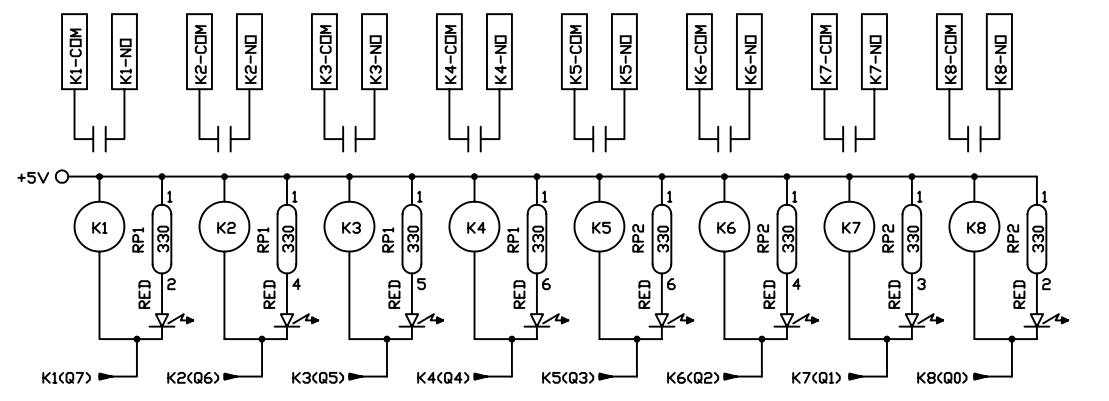
MODEL PF8R REV. B



RESSmith
 WWW.RS485.COM
 4311 R. E. Smith Drive, Hamilton, Ohio 45011
 513-874-4796



JUMPER INSTALLED (FACTORY SETTING)



This drawing is the property of R. E. SMITH and shall not be used except with the written permission of R. E. SMITH, no copies shall be made of it and all proprietary rights in the matter contained in this drawing are the property of R. E. SMITH. COPYRIGHT - R. E. SMITH, 2002		DRAWN BY RES	SUBJECT MODEL PF8R
SHEET 1 OF 1		DATE 12-23-02	FOR CPU, SIO, PS
PF8R		SCALE NONE	RES R. E. SMITH 4311 R. E. SMITH DRIVE HAMILTON, OHIO 45011
CHKD. BY RES		DWG. NO. PF8R	
			REV. B

