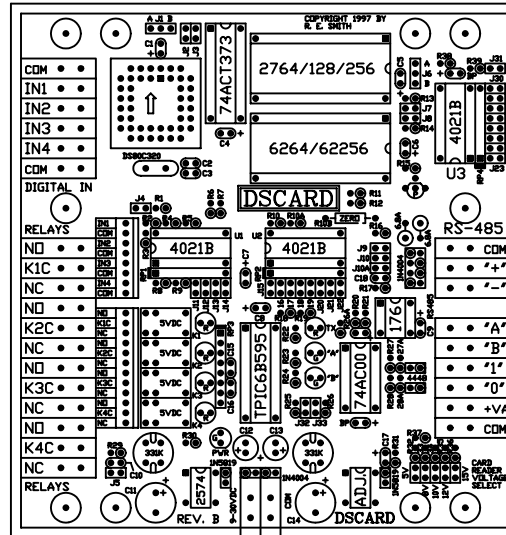


5.00" X 5.25"
ACTUAL SIZE (1:1)



DSCARD CARD READER ELECTRONICS WITH SOFTWARE FOR UNIVERSAL 8-56 BIT "WIEGAND" READER AND 26-BIT FORMAT. ADDRESSABLE, 4-TTL INPUTS, UP TO 4-RELAY OUTPUTS, RS485 COMMUNICATIONS UP TO 115.2K BAUD, ADJUSTABLE READER POWER SUPPLY, AND MORE. 1-9 \$199.00 ea. CALL 513-874-4796 FOR MORE INFO.

MODEL DSCARD REV. B

This drawing is the property of R. E. SMITH and shall not be used except with the written permission of R. E. SMITH, no copies shall be made of it and all proprietary rights in the matter contained in this drawing are the property of R. E. SMITH. COPYRIGHT - R. E. SMITH, 1997	DRAWN BY RES	SUBJECT MODEL DSCARD	
	DATE 2-10-97	FOR COMPONENT SCREEN	
	SCALE NONE	RES R. E. SMITH 4381 TYLERSVILLE RD. HAMILTON, OHIO 45011	
SHEET 1 OF 1	DSCARDSS	CHKD. BY RES	DWG. NO. DSCARDSS REV. B