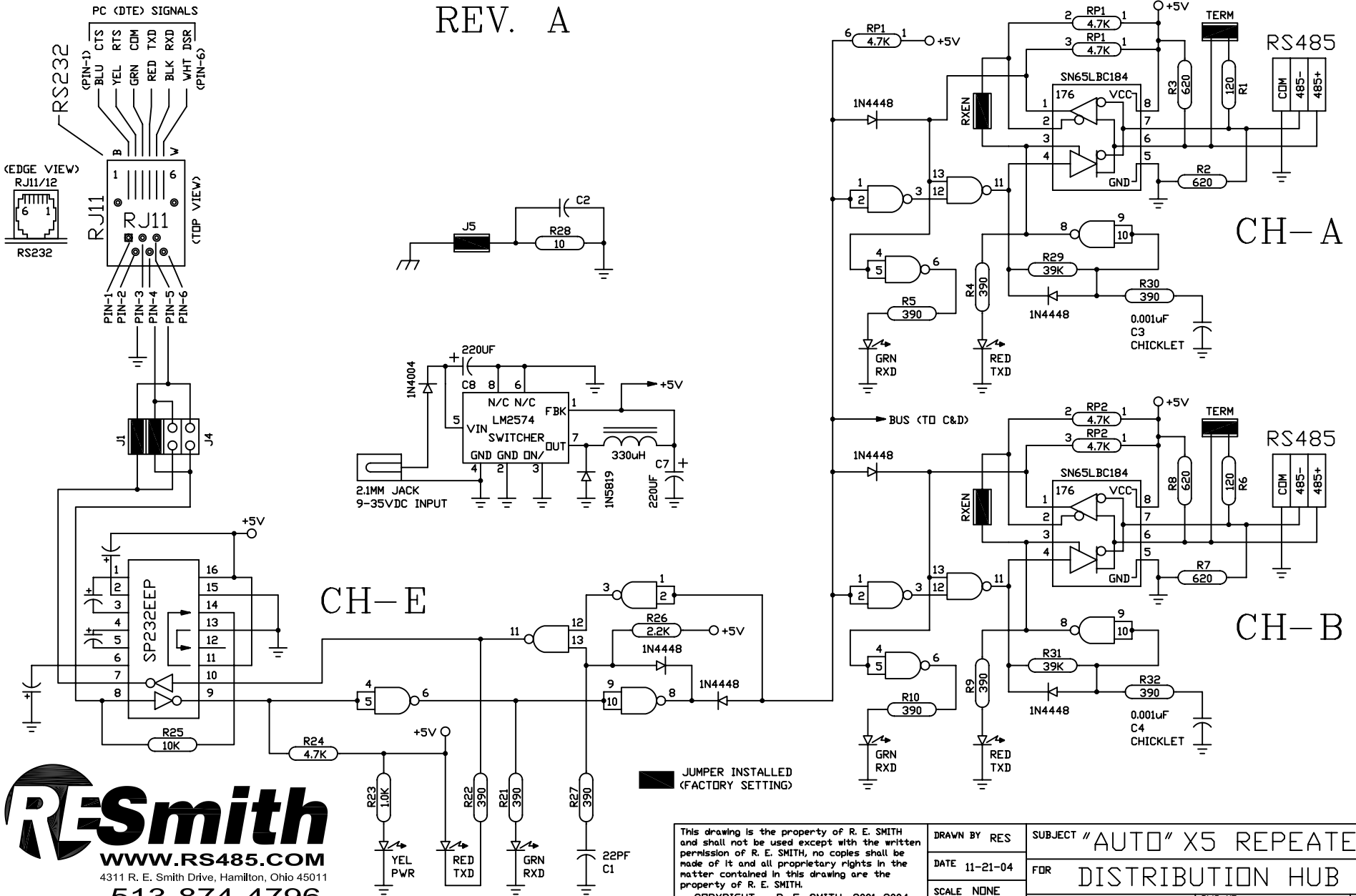


# RS485HUB NON-ISOLATED REPEATER HUB

4-RS485 & 1-RS232 PORTS FOR HALF-DUPLEX COMMUNICATIONS

REV. A



**RESmith**  
 WWW.RS485.COM  
 4311 R. E. Smith Drive, Hamilton, Ohio 45011  
 513-874-4796

This drawing is the property of R. E. SMITH and shall not be used except with the written permission of R. E. SMITH, no copies shall be made of it and all proprietary rights in the matter contained in this drawing are the property of R. E. SMITH.  
 COPYRIGHT - R. E. SMITH, 2001-2004

DRAWN BY RES	SUBJECT "AUTO" X5 REPEATER	
DATE 11-21-04	FOR DISTRIBUTION HUB	
SCALE NONE	RES R. E. SMITH	DWG. NO. RS485HUB
SHEET 1 OF 1	RS485HUB	REV. A