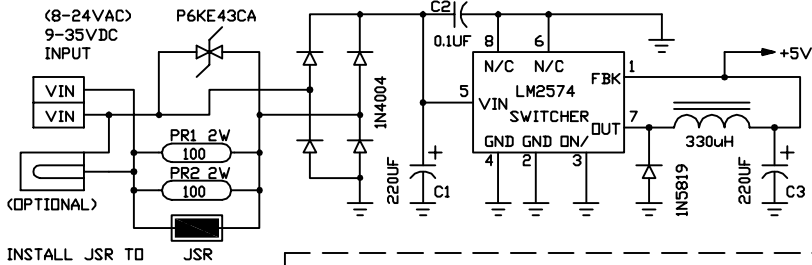


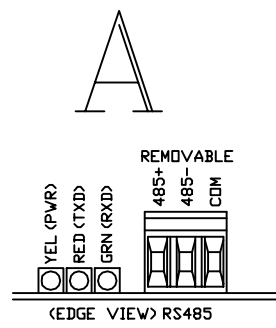
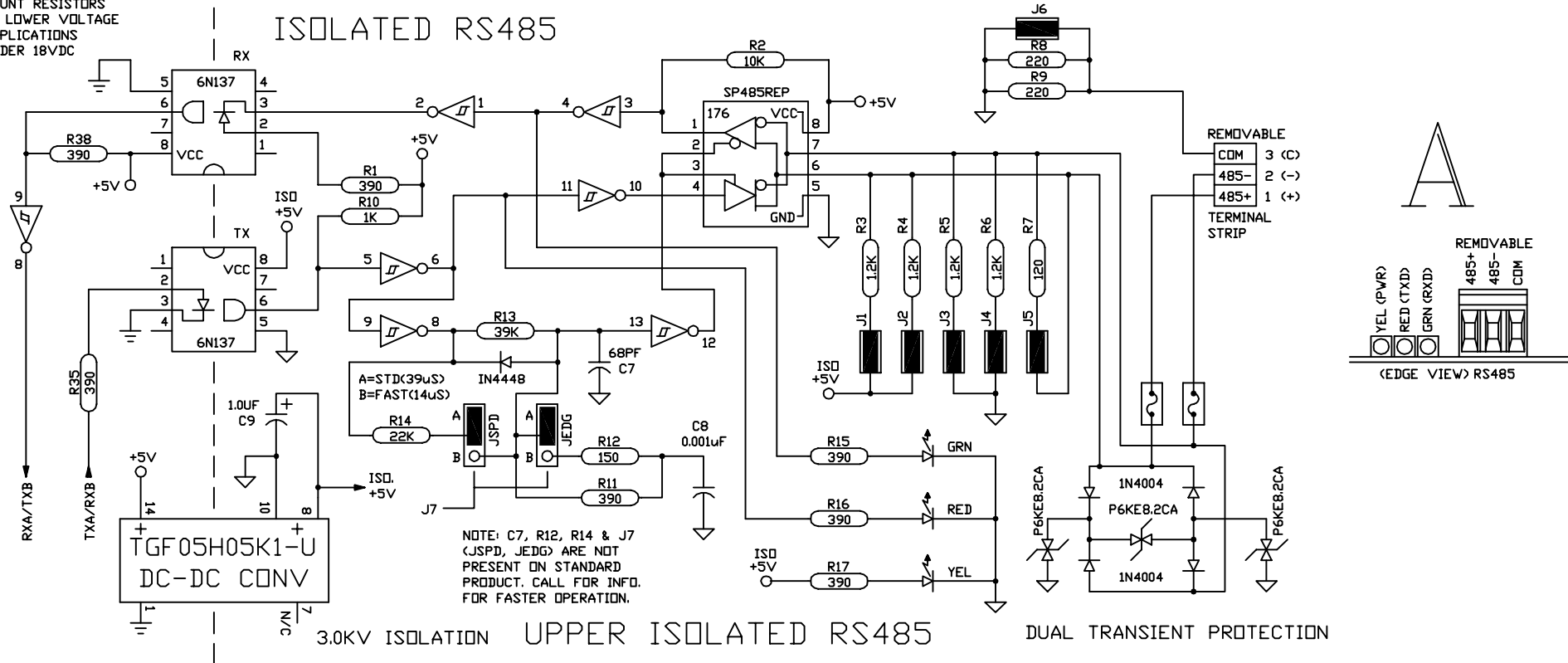
NOTE: CONNECT EITHER POLARITY TO PWR INPUT



DUAL ISOLATED FAST AUTOMATIC REPEATER MODEL DIFAR44 REV. E

INSTALL JSR TO SHUNT RESISTORS IN LOWER VOLTAGE APPLICATIONS UNDER 18VDC

ISOLATED RS485



NOTE: C7, R12, R14 & J7 (JSPD, JEDG) ARE NOT PRESENT ON STANDARD PRODUCT. CALL FOR INFO. FOR FASTER OPERATION.

3.0KV ISOLATION UPPER ISOLATED RS485 DUAL TRANSIENT PROTECTION

JUMPER INSTALLED (FACTORY SETTING)

NOTE: USE THE + AND - TERMINALS TO CONNECT TO THE RS485 BUS/WIRES. IT MAY BE NECESSARY TO REVERSE POLARITY FOR CORRECT PHASING.

NOTES: TERMINATION JUMPER J5 IS INSTALLED
NO FUSES ON REV. B, UNITS
SPEED UP AVAILABLE TO 3.0MHz ON REV D UNITS
NO RJ11/12 ON REV D UNITS

RESSmith
WWW.RS485.COM
10330 CHESTER ROAD, CINCINNATI, OHIO 45215
513-874-4796

-40C TO 85C OPERATION



This drawing is the property of R. E. SMITH and shall not be used except with the written permission of R. E. SMITH. No copies shall be made of it and all proprietary rights in the matter contained in this drawing are the property of R. E. SMITH. COPYRIGHT - R. E. SMITH, 1998-2013		DRAWN BY RES	SUBJECT DUAL-ISO REPEATER
SHEET 1 OF 1		DATE 11-3-08 UPDATED 12-14-12	FOR 3000VDC ISOLATED
DIFAR44A		SCALE NONE	RES R. E. SMITH 10330 CHESTER ROAD CINCINNATI, OHIO 45215
CHKD. BY RES		DWG. NO. DIFAR44A	REV. E