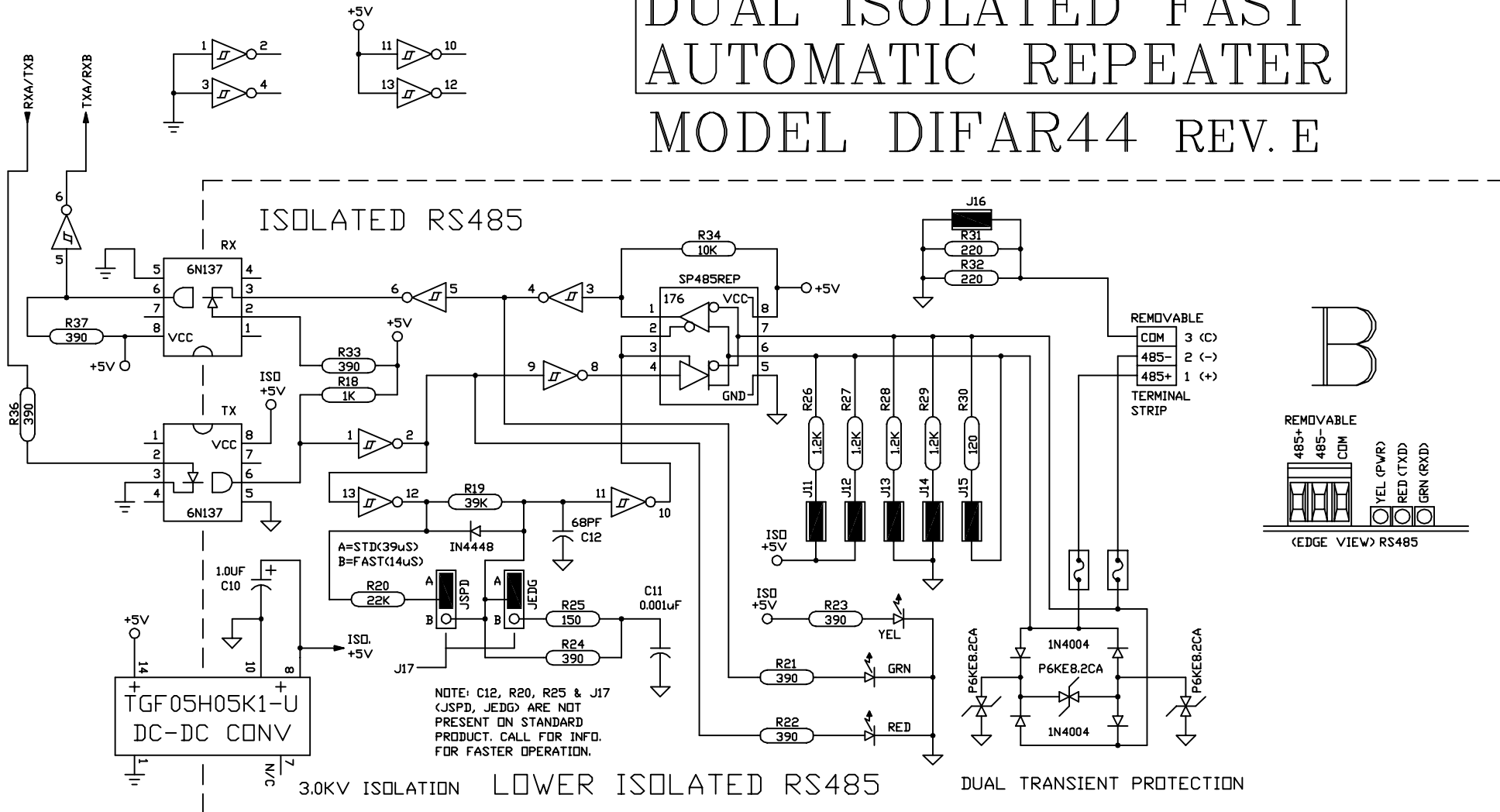


# DUAL ISOLATED FAST AUTOMATIC REPEATER MODEL DIFAR44 REV. E



JUMPER INSTALLED (FACTORY SETTING)

**RES**Smith  
WWW.RS485.COM  
10330 CHESTER ROAD, CINCINNATI, OHIO 45215  
513-874-4796

-40C TO 85C OPERATION

B

This drawing is the property of R. E. SMITH and shall not be used except with the written permission of R. E. SMITH. No copies shall be made of it and all proprietary rights in the matter contained in this drawing are the property of R. E. SMITH. COPYRIGHT - R. E. SMITH, 1998-2013		DRAWN BY RES	SUBJECT DUAL-ISO REPEATER	
SHEET 1 OF 1		DATE 11-3-08 UPDATED 12-14-12	FOR 3000VDC ISOLATED	
DIFAR44B		SCALE NONE	RES R. E. SMITH 10330 CHESTER ROAD CINCINNATI, OHIO 45215	
CHKD. BY RES		DVG. NO. DIFAR44B		REV. E