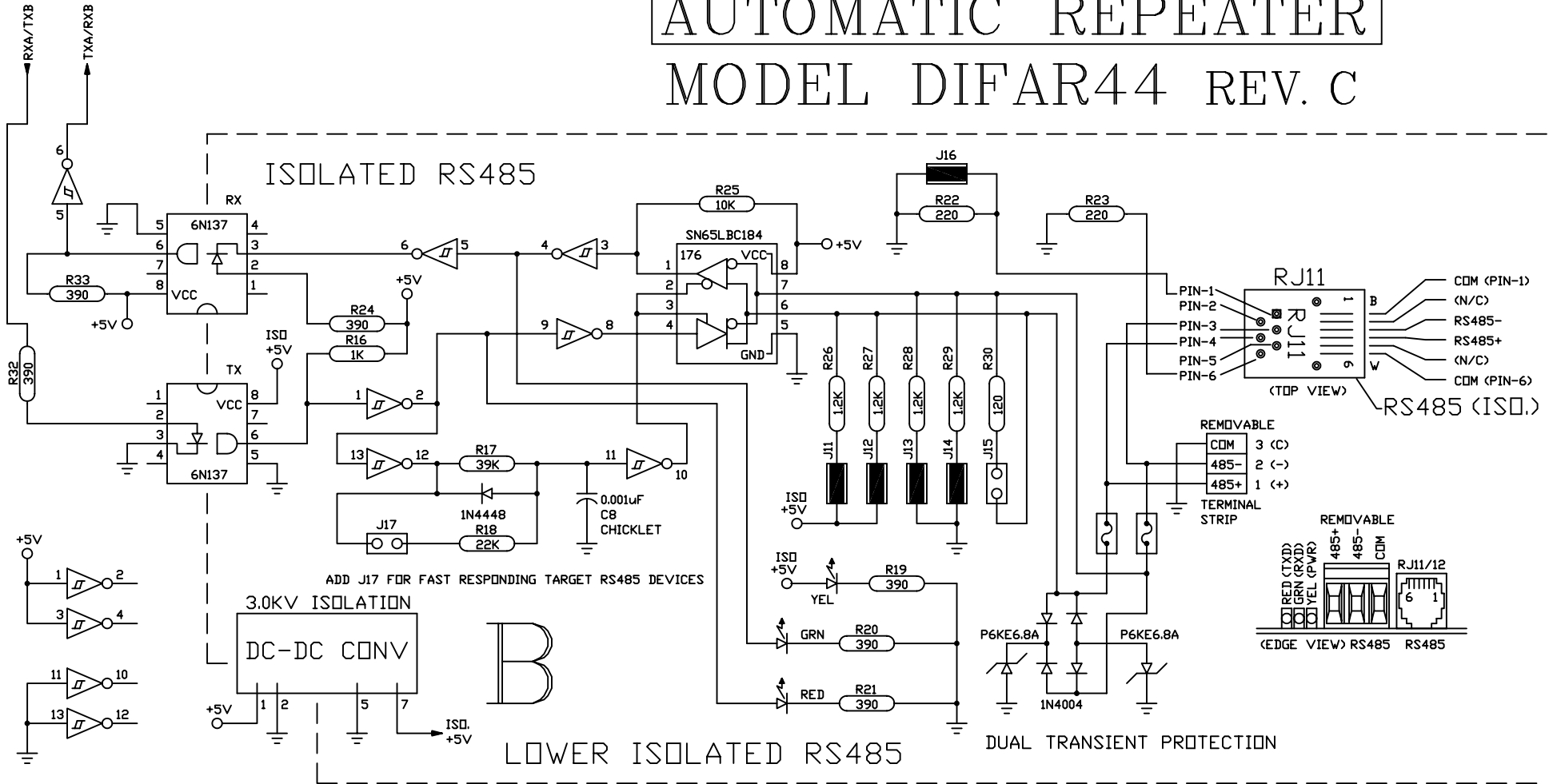


# DUAL ISOLATED FAST AUTOMATIC REPEATER MODEL DIFAR44 REV. C



NOTE: NO FUSES ON REV. B. UNITS  
TERMINATION JUMPER J15 IS REMOVED

**RESmith**  
WWW.RS485.COM  
4311 R. E. Smith Drive, West Chester, Ohio 45069  
513-874-4796

■ JUMPER INSTALLED  
(FACTORY SETTING)

This drawing is the property of R. E. SMITH and shall not be used except with the written permission of R. E. SMITH, no copies shall be made of it and all proprietary rights in the matter contained in this drawing are the property of R. E. SMITH. COPYRIGHT - R. E. SMITH, 1998-2001		DRAWN BY RES	SUBJECT DUAL-ISO REPEATER
SHEET 1 OF 1		DATE 10-14-01	FOR 3000VDC ISOLATED
DIFAR44B		SCALE NONE	RES R. E. SMITH 4311 R. E. SMITH DRIVE WEST CHESTER, OHIO 45069
CHKD. BY RES		DWG. NO. DIFAR44B REV. C	